

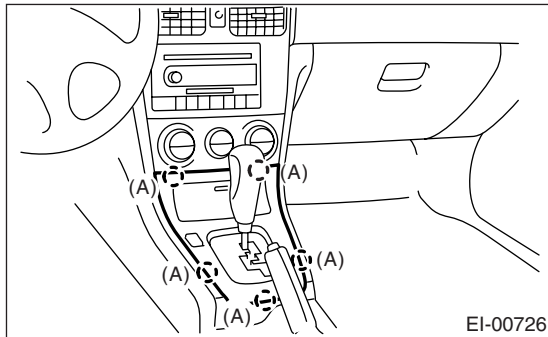
# CONSOLE BOX

EXTERIOR/INTERIOR TRIM

## 14. Console Box

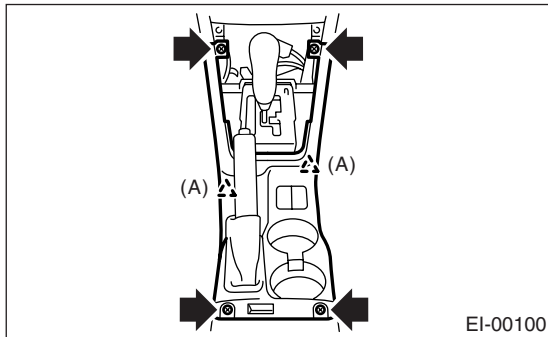
### A: REMOVAL

- 1) Disconnect the ground cable from battery.
- 2) Remove the console front cover.



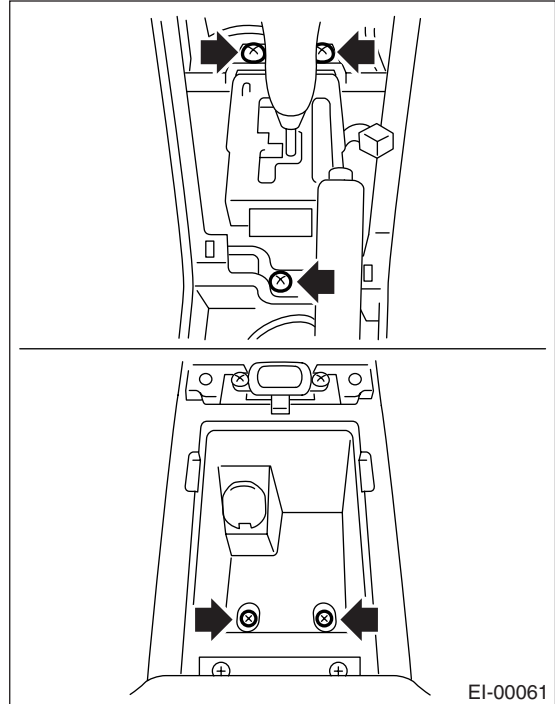
(A) Hook pawl

- 3) Remove the shift knob (MT model).
- 4) Loosen the screws to remove console cover.

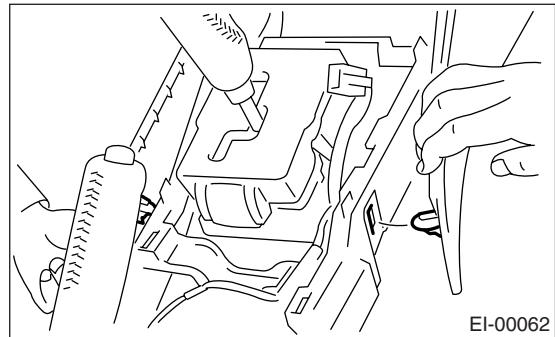


(A) Clip

- 5) Loosen the screws.



- 6) Remove the hook pawl of console side panel to remove console box.



### B: INSTALLATION

Install in the reverse order of removal.