

15. Instrument Panel Assembly

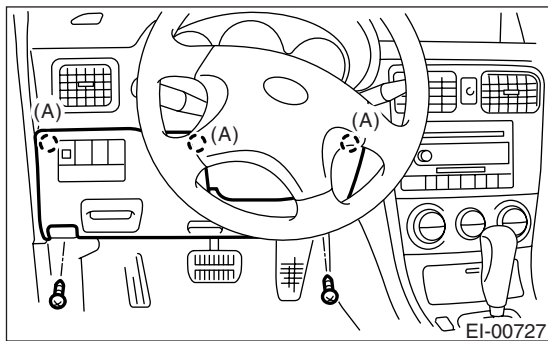
A: REMOVAL

CAUTION:

- All airbag system wiring harness and connectors are colored yellow. Do not use electrical test equipment on these circuits.
- Be careful not to damage the airbag system harness when servicing the instrument panel.

1. REMOVAL OF INSTRUMENT PANEL ONLY

- 1) Disconnect the ground cable from battery.
- 2) Loosen the screws and clips, and then remove the lower cover.

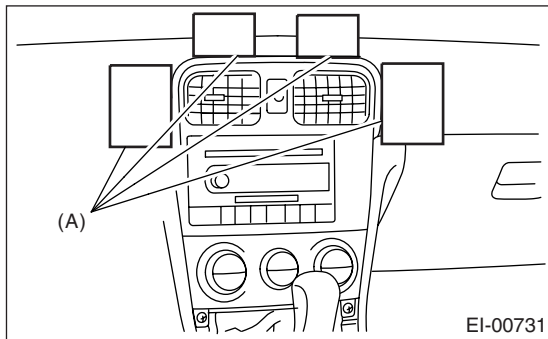


(A) Clip

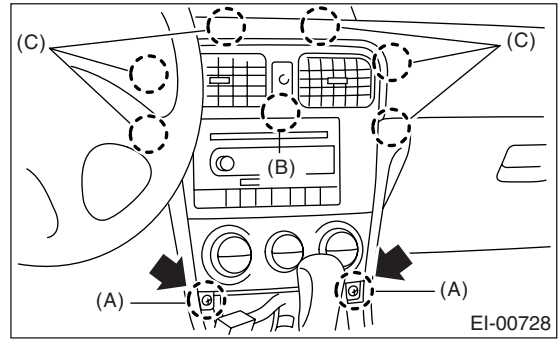
- 3) Disconnect the in-vehicle sensor hose and connector.
- 4) Remove the console front cover and console cover. <Ref. to EI-36, REMOVAL, Console Box.>
- 5) Apply the thick protective tape (A) to instrument panel pad to protect the surface of it.

NOTE:

Also apply the protective tape to the deep inside portion between center console panel and instrument panel pad.



- 6) Loosen the screws.

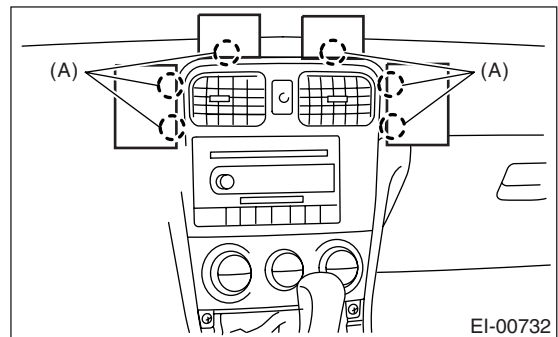


- (A) Screw
- (B) Clip
- (C) Claw

- 7) Insert the flat tip screwdriver to the position (A) and release the claw with pulling out the lower portion of center console panel.

CAUTION:

Do not insert the flat tip screwdriver into any portion except for indicated in the figure. The instrument panel may be damaged.



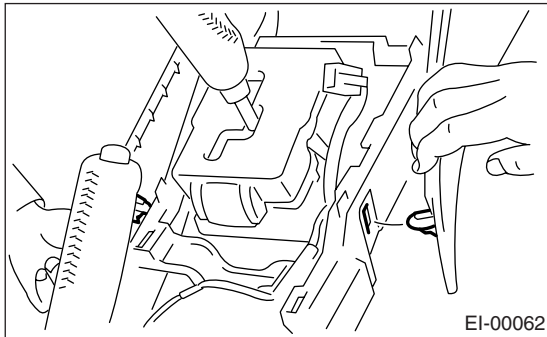
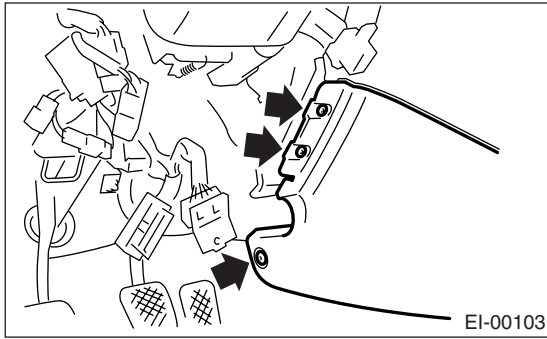
(A) Inserting position of flat tip screwdriver

- 8) Disconnect the connectors of A/C control panel and hazard switch.

INSTRUMENT PANEL ASSEMBLY

EXTERIOR/INTERIOR TRIM

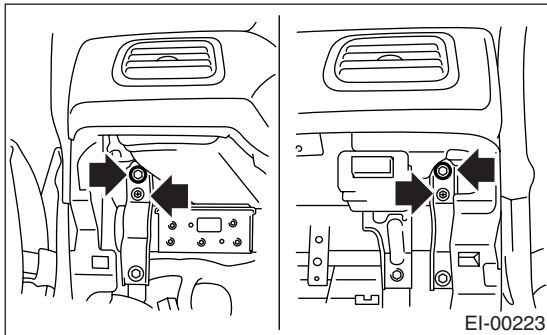
9) Loosen the screws and clips, and then remove the side console panel.



10) Remove the passenger's airbag module. <Ref. to AB-13, REMOVAL, Passenger's Airbag Module.>

11) Remove the two steering column installation bolts. <Ref. to PS-18, REMOVAL, Tilt Steering Column.>

12) Loosen the four instrument panel installation bolts. (Do not remove the lower bolts for alignment of install location.)



13) Remove the combination meter assembly. <Ref. to IDI-10, REMOVAL, Combination Meter Assembly.>

14) Loosen the instrument panel installation screws.

15) Remove the instrument panel center compartment. <Ref. to EI-48, REMOVAL, Instrument Panel Center Compartment.>

16) Remove the radio. <Ref. to ET-5, REMOVAL, Radio Body.>

17) Remove the side cover of instrument panel assembly (both side), and then loosen two bolts.

18) Remove the instrument panel assembly.

NOTE:

Remove the front pillar upper trim if necessary. <Ref. to EI-40, REMOVAL, Upper Inner Trim.>

19) Disconnect the combination meter harness connector.

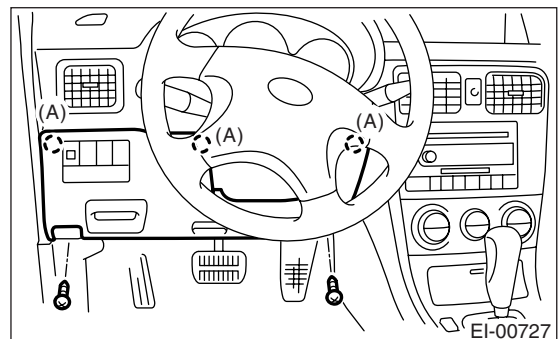
CAUTION:

Do not disconnect the connector by pulling harness.

2. REMOVAL OF INSTRUMENT PANEL WITH STEERING BEAM

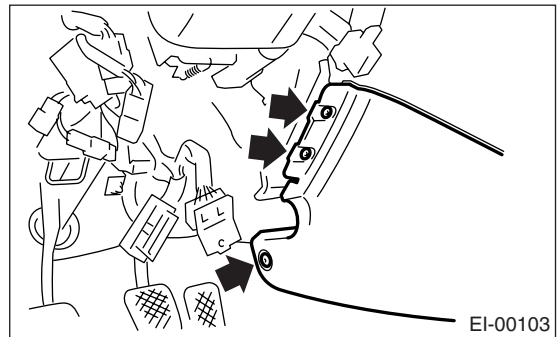
1) Disconnect the ground cable from battery.

2) Loosen the screws and clips (A), and then remove the lower cover.



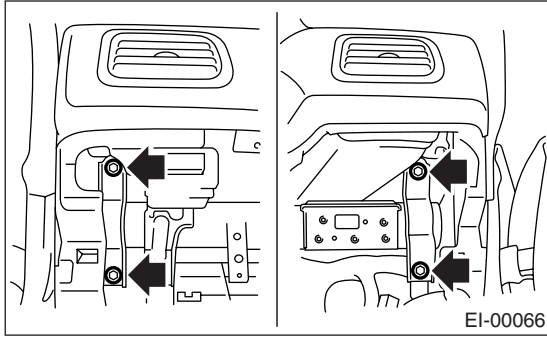
3) Remove the console front cover and console cover. <Ref. to EI-36, REMOVAL, Console Box.>

4) Loosen the screws and clips, and then remove the side console panel.



5) Remove the steering column.

6) Loosen the four instrument panel installation bolts.



7) Remove the driver's and passenger's airbag module. <Ref. to AB-12, REMOVAL, Driver's Airbag Module.> and <Ref. to AB-13, REMOVAL, Passenger's Airbag Module.>

8) Loosen the steering beam installation bolts.

9) Loosen the brake pedal installation bolts. <Ref. to BR-46, REMOVAL, Brake Pedal.>

10) Remove two clips from the edge of instrument panel assembly.

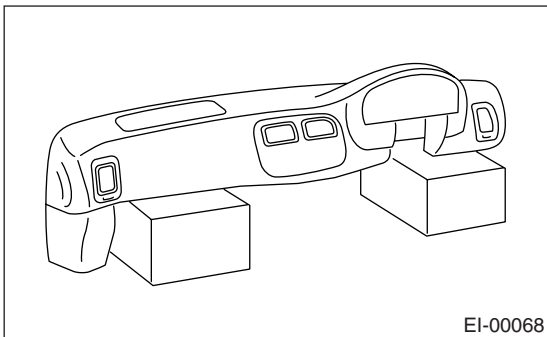
11) Remove the instrument panel assembly.

CAUTION:

Do not disconnect the connector by pulling harness.

NOTE:

- If necessary, make matching marks for easy re-assembly.
- When storing the removed instrument panel, place it standing up on the floor.



B: INSTALLATION

Install in the reverse order of removal.

CAUTION:

- **Be careful not to snag the harness.**
- **Make sure to connect the harness connector.**

NOTE:

When setting the instrument panel into position, push the hook into grommet (A) on the body panel.

