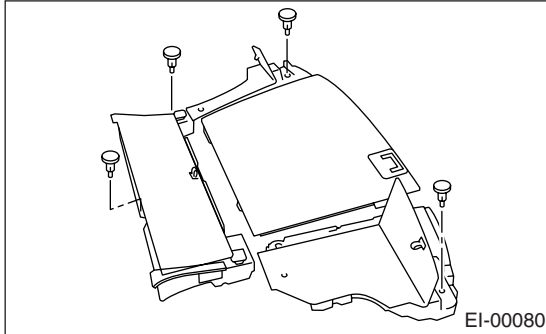


23.Luggage Floor Mat

A: REMOVAL

- 1) Remove the back mat of rear seat backrest.
- 2) Remove the clips, then detach the rear floor mats and boxes.



B: INSTALLATION

Install in the reverse order of removal.