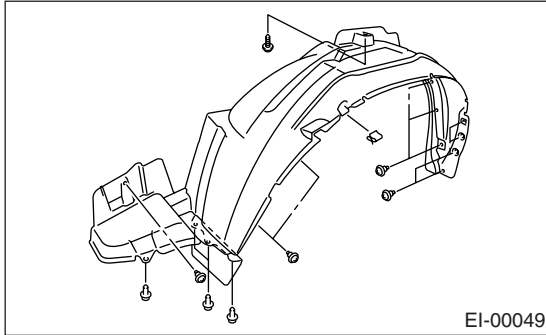


6. Mud Guard

A: REMOVAL

- 1) Jack-up the vehicle.
- 2) Remove the clip to remove air flap.
- 3) Remove the screws and clips to remove mud guard.



B: INSTALLATION

Install in the reverse order of removal.