

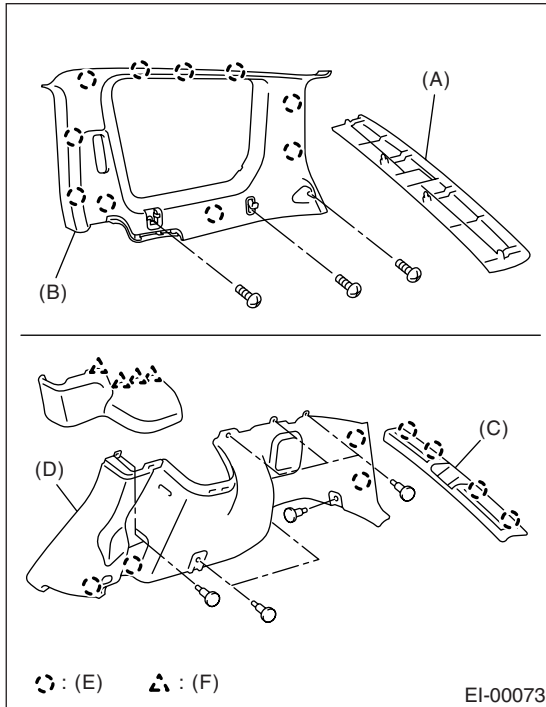
REAR QUARTER TRIM

EXTERIOR/INTERIOR TRIM

18.Rear Quarter Trim

A: REMOVAL

- 1) Remove the rear seat. <Ref. to SE-13, REMOVAL, Rear Seat.>
- 2) Remove the side sill rear cover.
- 3) Remove the rear rail trim (A).
- 4) Remove the strut cap.
- 5) Remove the shoulder anchor of rear seat belt.
- 6) Loosen the screws and clips to remove rear quarter upper trim (B).
- 7) Remove the rear skirt trim (C).
- 8) Loosen the screws and clips to remove rear quarter lower trim (D).



- (E) Clip
- (F) Hook

B: INSTALLATION

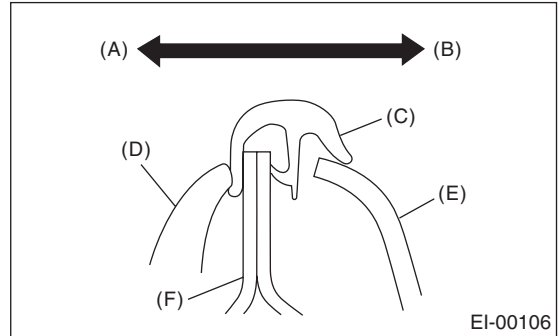
Install in the reverse order of removal.

CAUTION:

Be sure to securely hook pawls of inner trim panel to body flange.

NOTE:

When installing the rear quarter upper trim, be sure to set the rear molding as shown in the figure.



- (A) Outside
- (B) Inside
- (C) Molding
- (D) Weatherstrip
- (E) Trim
- (F) Body