

ROOF TRIM

EXTERIOR/INTERIOR TRIM

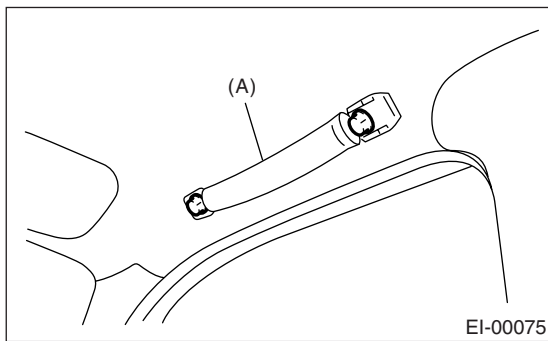
20. Roof Trim

A: REMOVAL

CAUTION:

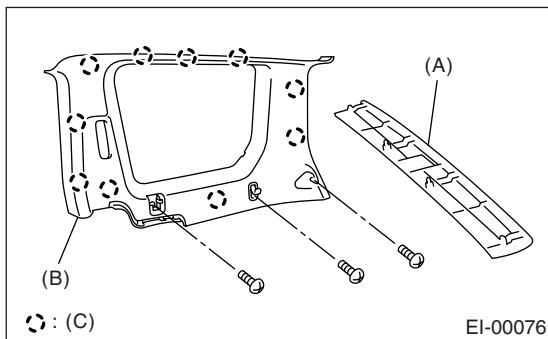
When removing the clip, use great care not to damage the roof trim.

- 1) Disconnect the ground cable from battery.
- 2) Remove the over head console. (Sunroof model)
<Ref. to SR-9, REMOVAL, Sunroof Switch.>
- 3) Remove the room light. <Ref. to LI-25, REMOVAL, Room Light.>
- 4) Remove the sun visor and hook or both sides.
<Ref. to EI-43, REMOVAL, Sun Visor.>
- 5) Remove the assist grip cap to remove assist grip (A).



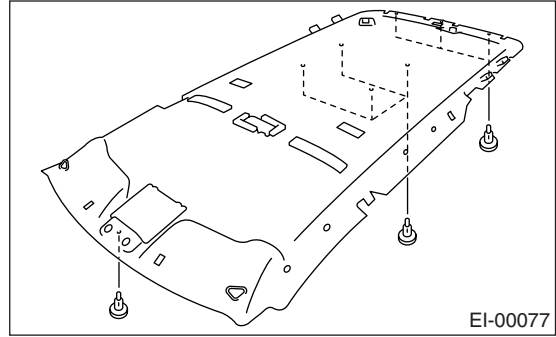
- 6) Remove the upper inner trim. <Ref. to EI-40, REMOVAL, Upper Inner Trim.>
- 7) Remove the rear quarter upper trim shown in the figure. <Ref. to EI-42, REMOVAL, Rear Quarter Trim.>

- (1) Remove the rear rail trim (A).
- (2) Remove the rear quarter upper trim (B) of both sides.



(C) Clip

- 8) Remove the clips, and then remove the roof trim.



B: INSTALLATION

Install in the reverse order of removal.