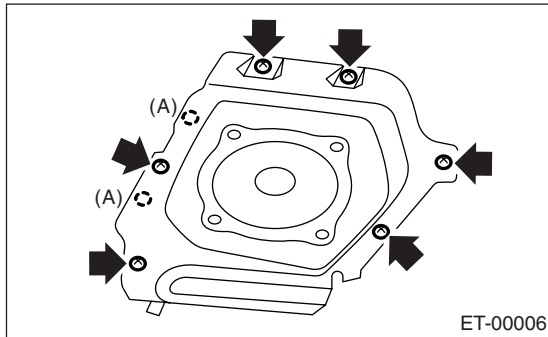


8. Woofer

A: REMOVAL

- 1) Disconnect the ground cable from battery.
- 2) Remove the rear seat belt, rear seat, rear quarter upper, rear quarter lower, insulator, and luggage floor mat.
- 3) Remove the trim of woofer.
- 4) Remove the woofer mounting screws and clips (A).



- 5) Disconnect the harness connector, and then remove woofer.

B: INSTALLATION

Install in the reverse order of removal.