

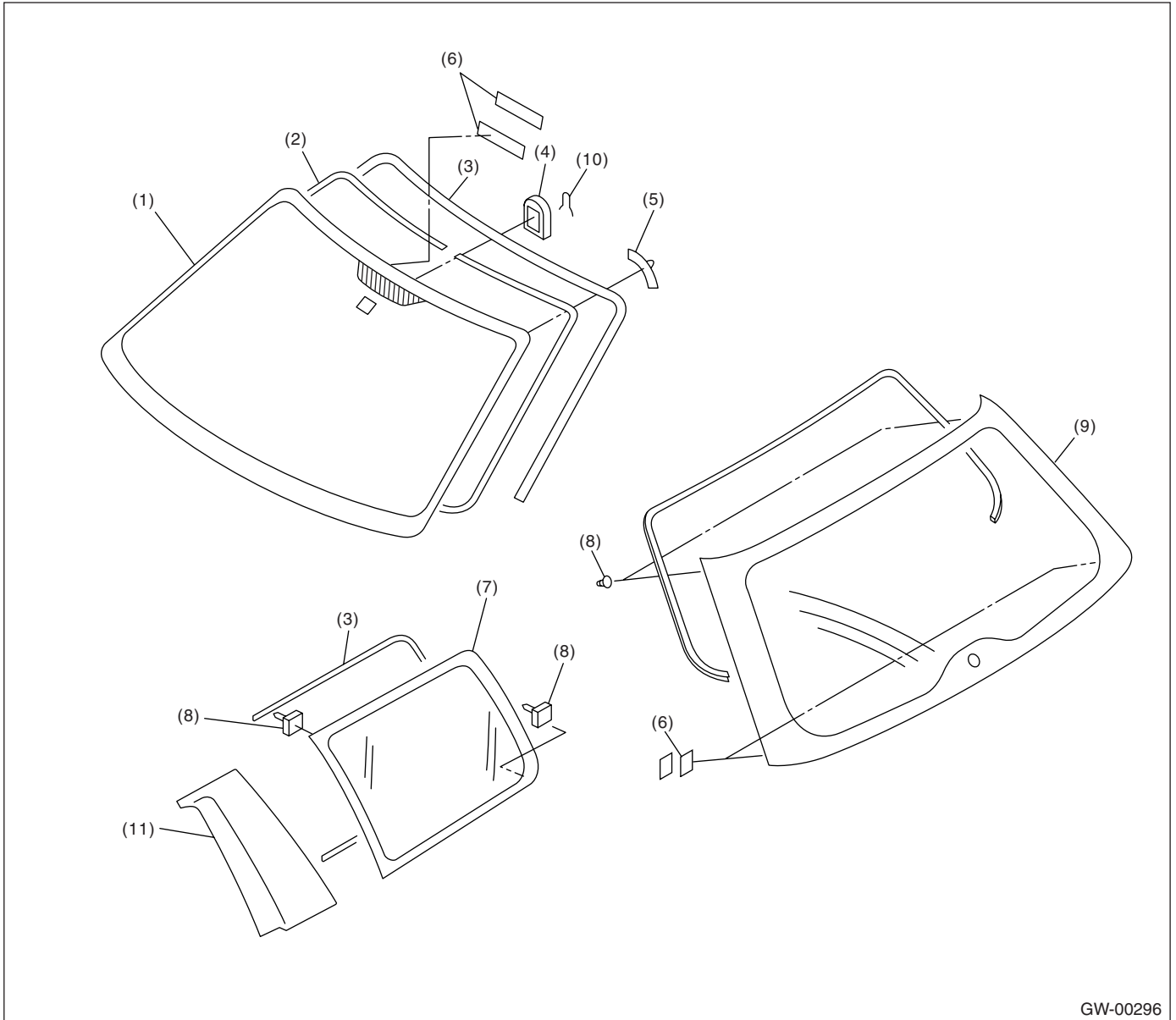
GENERAL DESCRIPTION

GLASS/WINDOWS/MIRRORS

1. General Description

A: COMPONENT

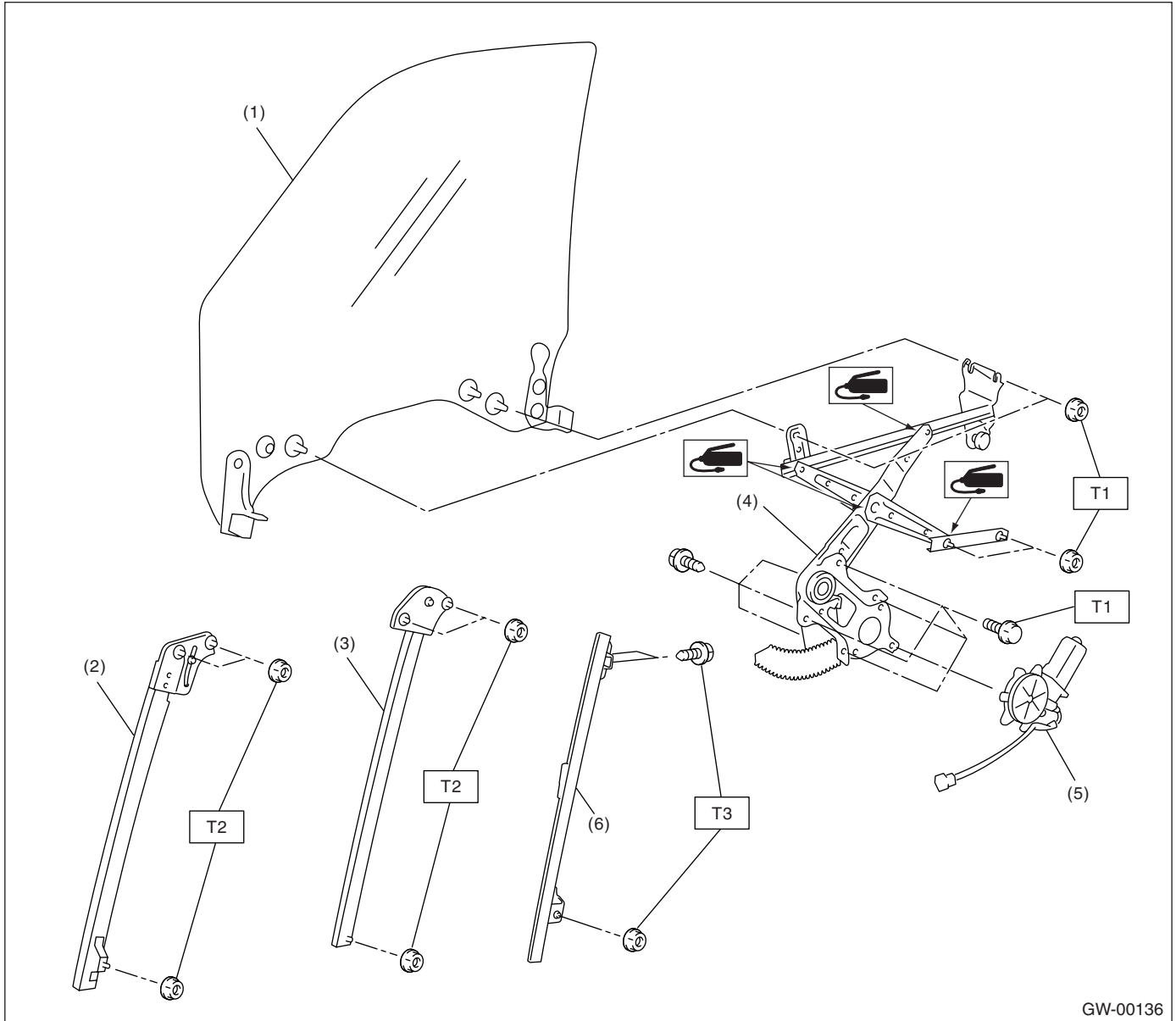
1. FIXED GLASS



GW-00296

- | | | |
|---------------------------|------------------------|---------------------|
| (1) Windshield glass | (5) Locate pin | (9) Rear gate glass |
| (2) Dam rubber | (6) Fastener | (10) Spring |
| (3) Molding | (7) Rear quarter glass | (11) Cover C pillar |
| (4) Rearview mirror mount | (8) Locate pin | |

2. FRONT DOOR GLASS



- (1) Glass
- (2) Door sash (Front)
- (3) Door sash (Rear)
- (4) Regulator ASSY

- (5) Motor ASSY
- (6) Guide rail

Tightening torque: N·m (kgf·m, ft·lb)

T1: 7.5 (0.75, 5.4)

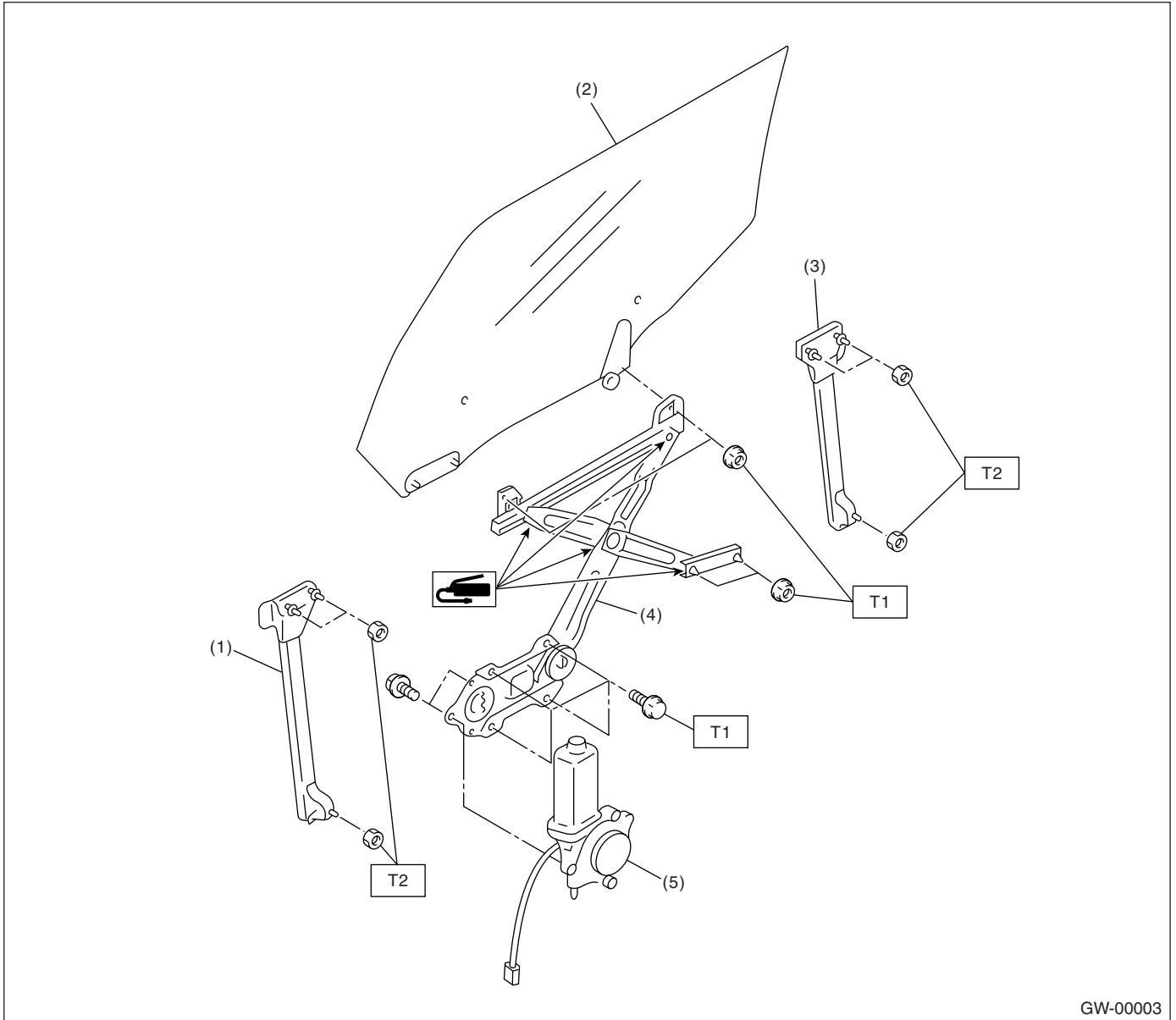
T2: 14 (1.4, 10.3)

T3: 6 (0.6, 4.3)

GENERAL DESCRIPTION

GLASS/WINDOWS/MIRRORS

3. REAR DOOR GLASS



- (1) Door sash (Front)
- (2) Glass
- (3) Door sash (Rear)
- (4) Regulator ASSY

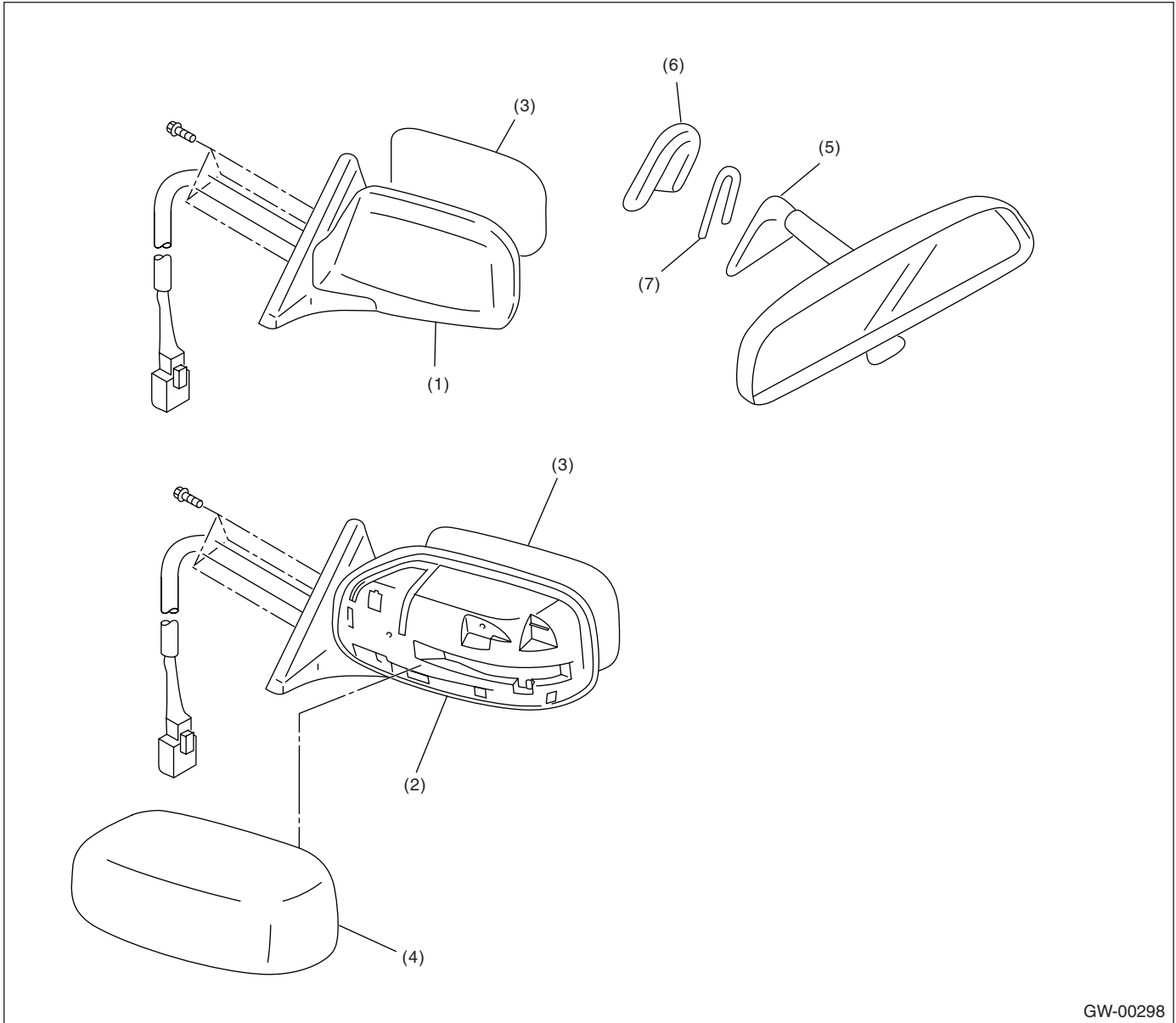
- (5) Motor ASSY

Tightening torque: N·m (kgf·m, ft·lb)

T1: 7.5 (0.75, 5.4)

T2: 14 (1.4, 10.3)

4. MIRRORS



GW-00298

- (1) Outer mirror (Large-sized)
- (2) Outer mirror (Standard)
- (3) Mirror
- (4) Scalp cap
- (5) Rearview mirror
- (6) Mount
- (7) Spring

B: CAUTION

- When the electrical connectors are disconnected, always conduct an operational check after connecting them again.
- Avoid impact and damage to glass.

C: PREPARATION TOOL

| TOOL NAME | REMARKS |
|------------------|---|
| Circuit Tester | Used for checking voltage and continuity. |
| Piano Wire | Used for window glass removal. |
| Windshield Knife | Used for window glass removal. |