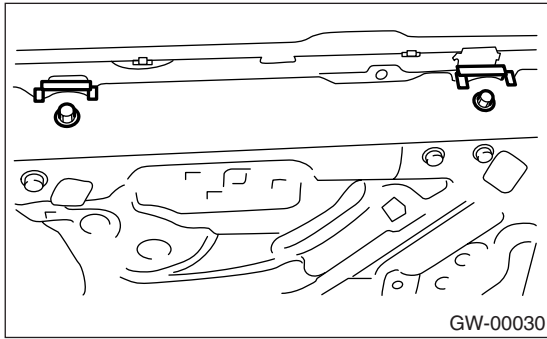


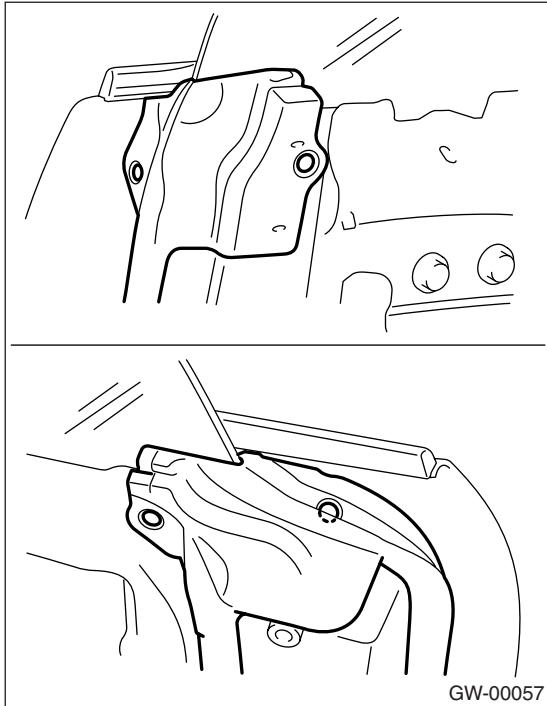
11. Rear Door Glass

A: REMOVAL

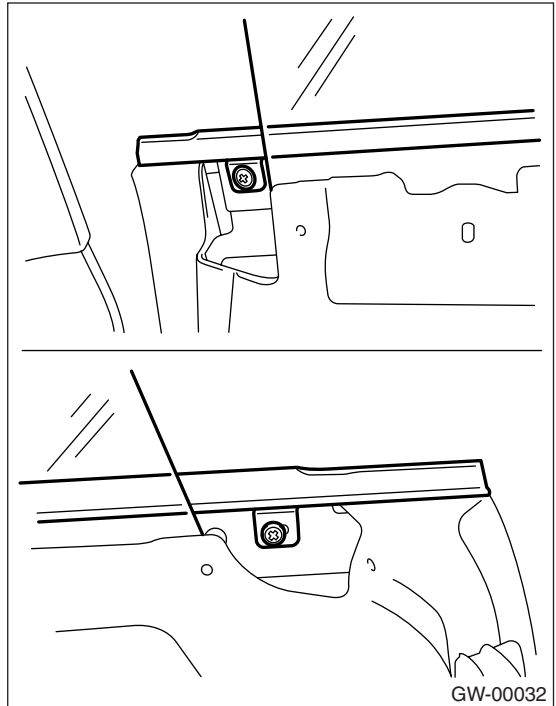
- 1) Remove the rear door trim. <Ref. to EI-33, REMOVAL, Rear Door Trim.>
- 2) Remove the front speaker. <Ref. to ET-7, REMOVAL, Front Speaker.>
- 3) Remove the sealing cover. <Ref. to EB-16, REMOVAL, Rear Sealing Cover.>
- 4) Remove the stabilizer.



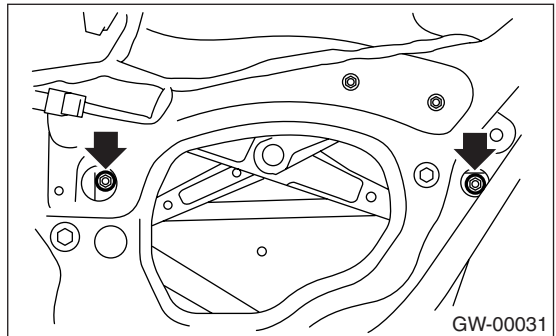
- 5) Remove the door weather strip.



- 6) Loosen the two screws to remove the weather strip outer.



- 7) Operate the power window switch to remove glass as shown in the figure, and then remove two nuts.



- 8) Take out the door glass.

CAUTION:
Avoid impact and damage to the glass.

REAR DOOR GLASS

GLASS/WINDOWS/MIRRORS

B: INSTALLATION

1) Install in the reverse order of removal.

CAUTION:

Make sure that the glass stay is placed securely in sash.

2) Adjust the rear door glass. <Ref. to GW-22, ADJUSTMENT, Rear Door Glass.>

Tightening torque:

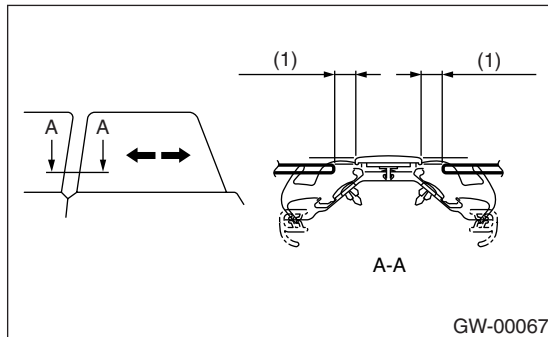
Refer to **COMPONENT** in *General Description*. <Ref. to GW-4, **REAR DOOR GLASS, COMPONENT, General Description.**> and <Ref. to GW-3, **FRONT DOOR GLASS, COMPONENT, General Description.**>

C: ADJUSTMENT

NOTE:

The rear door glass, as a rule, should be adjusted in the same manner as front glass, although they are different in dimension. Special notes for the rear glass are given below.

1) Adjust the glass position using the following dimensions as a guide line. (Clearance between upper side and lower side is within 1.5 mm (0.059 in).)

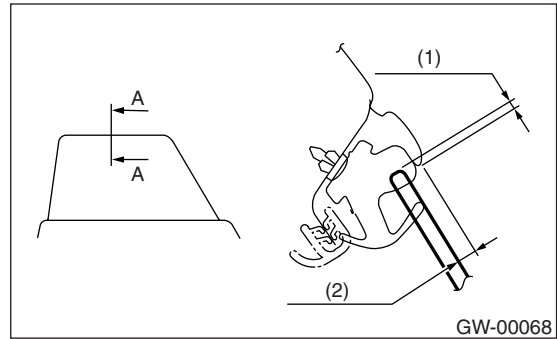


(1) 12±1 mm (0.472±0.039 in)

NOTE:

- If the dimensions are smaller than the given dimensions, glass may get caught in weatherstrip during lifting/lowering operation. In the worst case, it may cause the glass not to be opened fully.
- After adjustment, move the glass up and down to check whether it is caught.

2) Adjust the crimp of glass using the following dimensions as a guide line.



(1) 3.5±0.8 mm (0.137±0.031 in)

(2) 9.5±1 mm (0.374±0.039 in)

NOTE:

- If the crimp of rear glass is higher than necessary, glass may get caught in weatherstrip of center pillar corner, resulting in early wear of weatherstrip. Be careful when adjusting.
- After adjustment, move the glass up and down to check whether it is caught.