

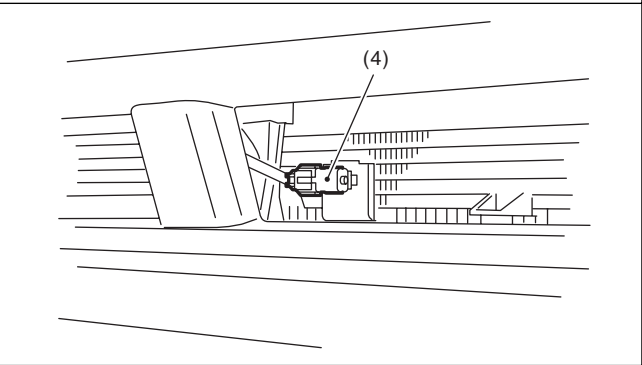
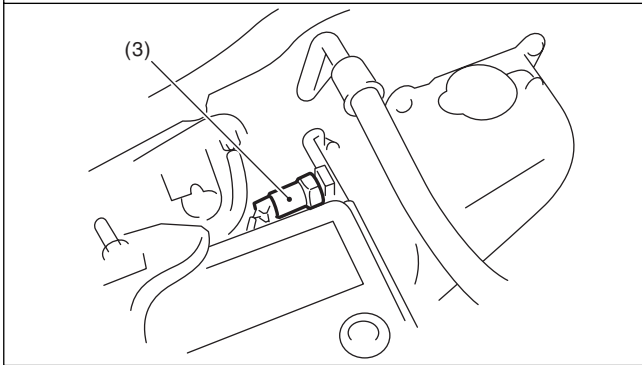
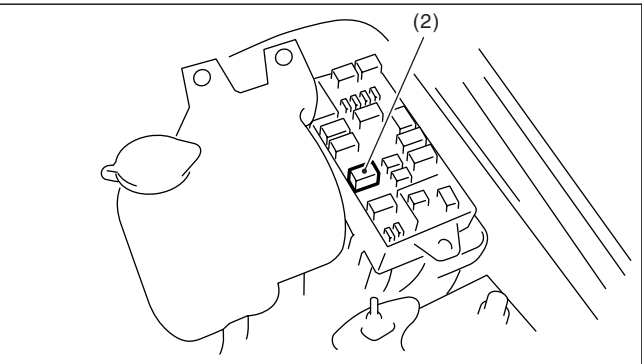
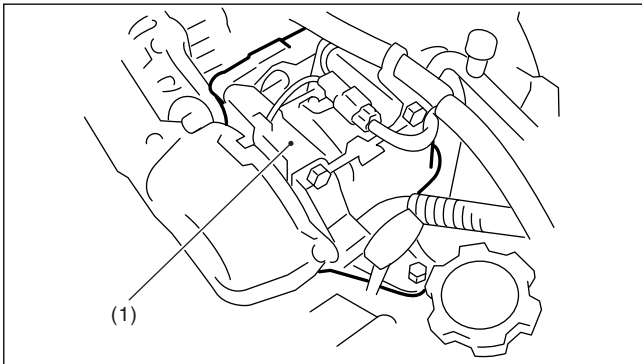
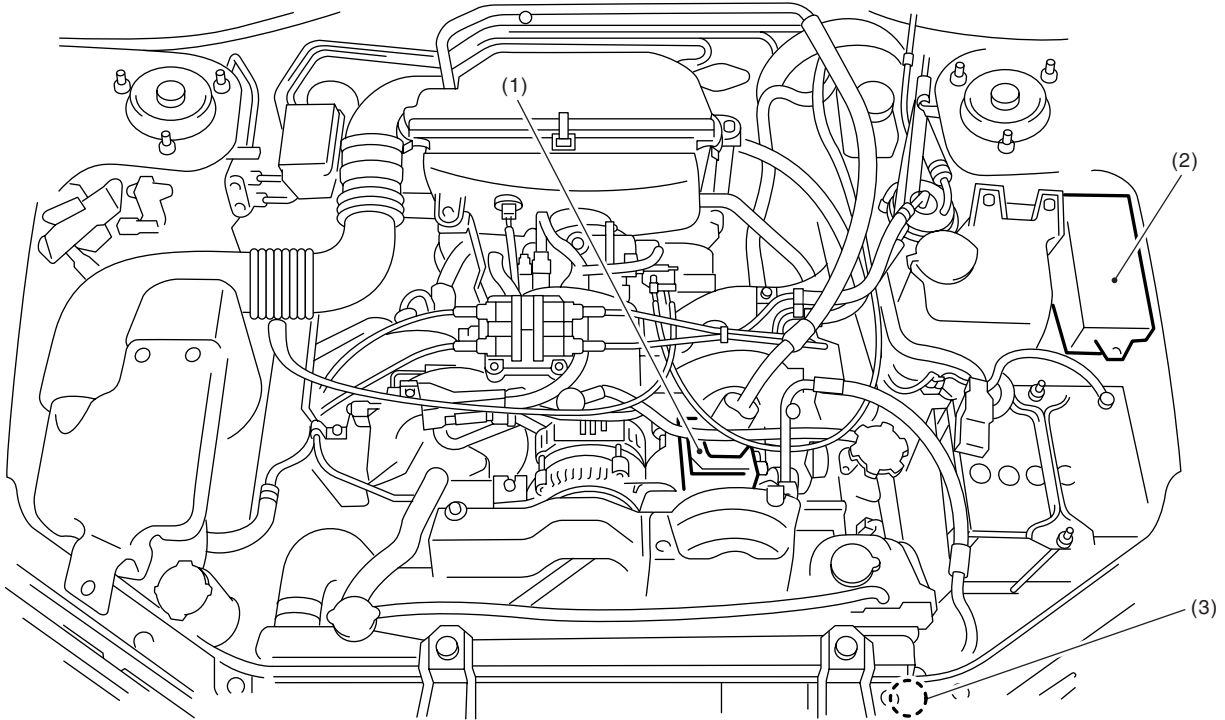
# ELECTRICAL COMPONENTS LOCATION

HVAC SYSTEM (AUTO A/C) (DIAGNOSTICS)

## 3. Electrical Components Location

### A: LOCATION

#### 1. ENGINE COMPARTMENT



AC-00097

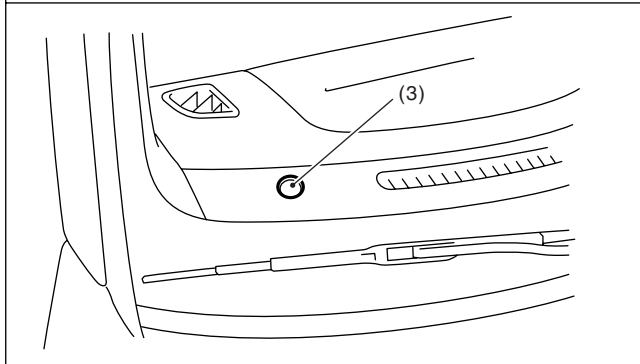
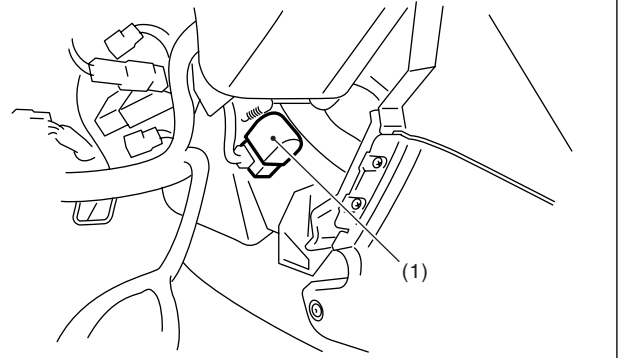
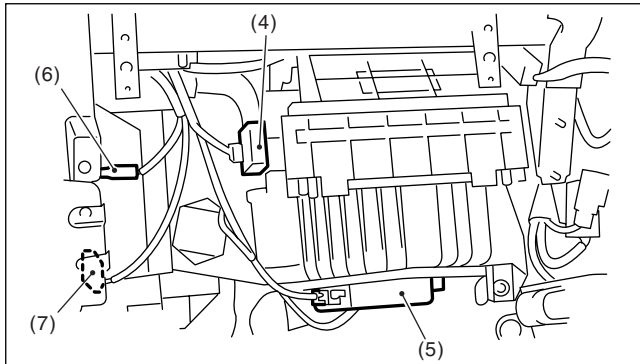
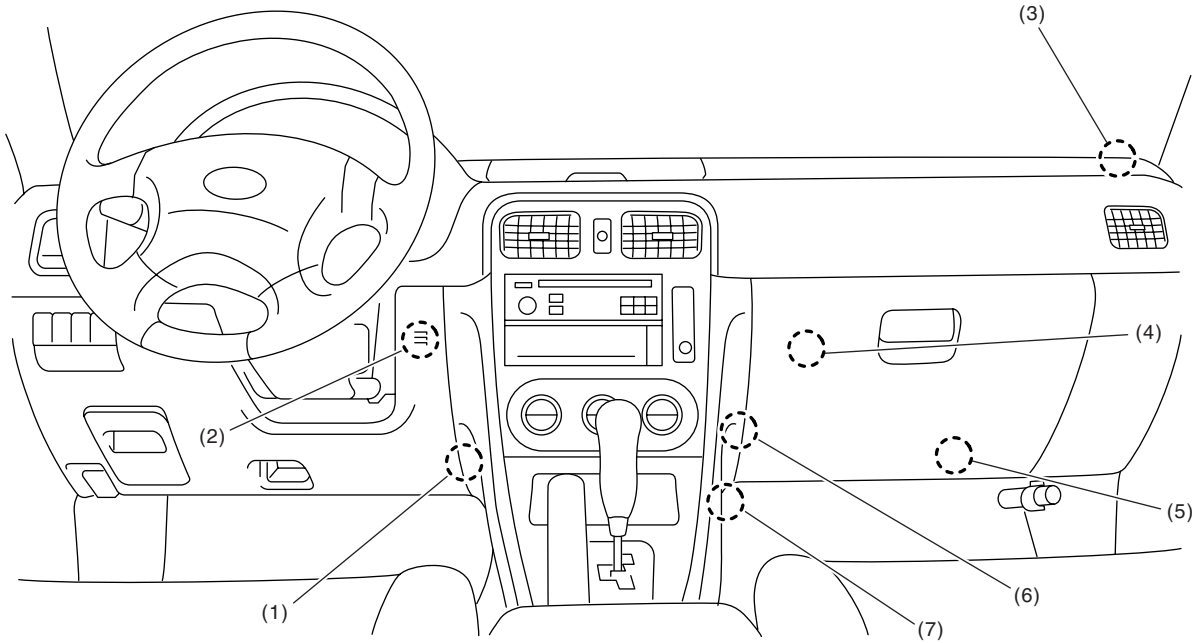
- (1) A/C compressor
- (2) A/C relay

- (3) Pressure switch
- (4) Ambient sensor

# ELECTRICAL COMPONENTS LOCATION

HVAC SYSTEM (AUTO A/C) (DIAGNOSTICS)

## 2. PASSENGER COMPARTMENT



AC-00098

- (1) Mode door actuator
- (2) In-vehicle sensor
- (3) Sunload sensor

- (4) Intake door actuator
- (5) Blower motor
- (6) Evaporator sensor

- (7) Air mix door actuator