

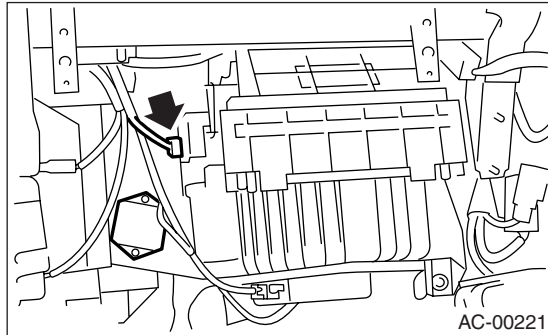
# BLOWER RESISTOR (MANUAL A/C MODEL)

HVAC SYSTEM (HEATER, VENTILATOR AND A/C)

## 8. Blower Resistor (Manual A/C Model)

### A: REMOVAL

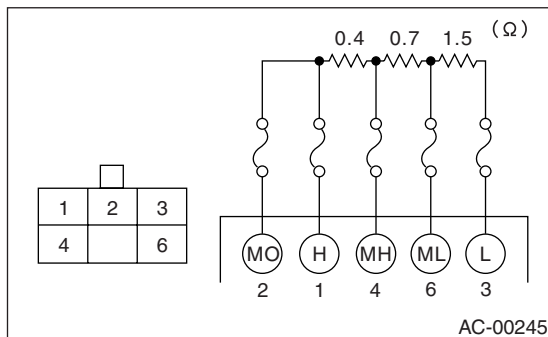
- 1) Remove the glove box. <Ref. to EI-34, REMOVAL, Glove Box.>
- 2) Disconnect the blower resistor connector.
- 3) Loosen the two screws to remove blower resistor.



### B: INSTALLATION

Install in the reverse order of removal.

### C: INSPECTION



Measure the blower resistor resistance.

Terminal No.	Standard
3 and 6	Approx. 0.4 Ω
3 and 4	Approx. 1.1 Ω
2 and 1	Approx. 2.6 Ω

If NG, replace the blower resistor.