

# COMPRESSOR

HVAC SYSTEM (HEATER, VENTILATOR AND A/C)

## 11. Compressor

### A: INSPECTION

#### 1. MAGNETIC CLUTCH CLEARANCE

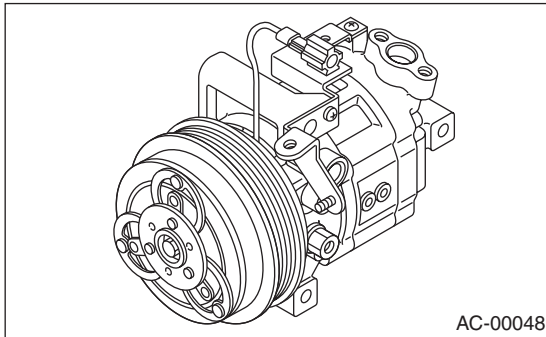
1) Check the clearance of the entire circumference around the drive plate and pulley.

**Standard:**

**0.3 — 0.6 mm (0.0118 — 0.0236 in)**

#### 2. MAGNETIC CLUTCH OPERATION

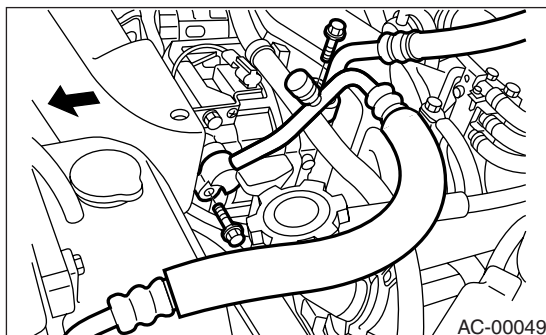
- 1) Disconnect the compressor connector.
- 2) Connect the battery positive (+) terminal to the No.3 terminal of the compressor connector.



3) Make sure the magnet clutch engages. If NG, replace the compressor.

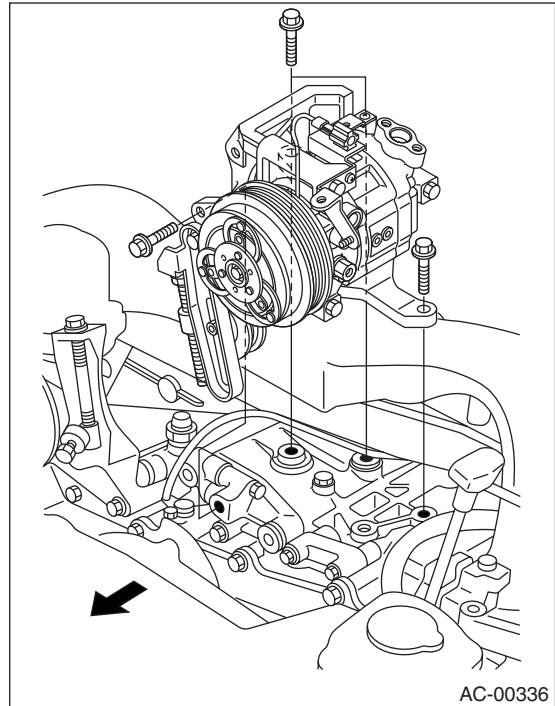
### B: REMOVAL

- 1) Perform the compressor oil return operation. <Ref. to AC-25, OPERATION, Compressor Oil.>
- 2) Turn the A/C switch OFF and stop the engine.
- 3) Using the refrigerant recovery system, discharge refrigerant. <Ref. to AC-20, OPERATION, Refrigerant Recovery Procedure.>
- 4) Disconnect the ground cable from battery.
- 5) Remove the V-belt. <Ref. to ME(H4SO)-42, REMOVAL, V-belt.> <Ref. to ME(H4DOTC)-45, REMOVAL, V-belt.>
- 6) Remove the generator. <Ref. to SC(H4SO)-15, REMOVAL, Generator.>
- 7) Remove the low-pressure hose and high-pressure hose.

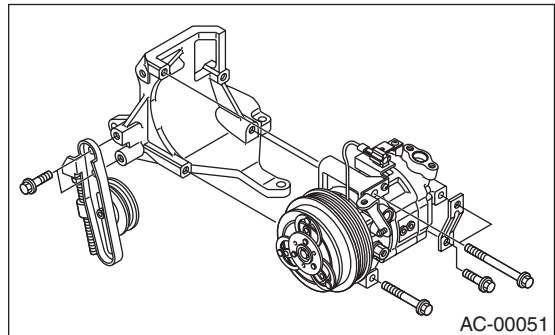


8) Disconnect the compressor harness from body harness.

9) Loosen the bolts to remove compressor bracket.



10) Remove the bolts and then separate compressor and bracket.



### C: INSTALLATION

- 1) Install in the reverse order of removal.
- 2) Replace the O-rings on low-/high-pressure hoses with new ones, then apply compressor oil.
- 3) When replacing compressor, adjust amount of compressor oil. <Ref. to AC-25, OPERATION, Compressor Oil.>
- 4) Charge refrigerant. <Ref. to AC-21, OPERATION, Refrigerant Charging Procedure.>

#### Tightening torque:

**Refer to COMPONENT in General Description. <Ref. to AC-11, AIR CONDITIONING UNIT, COMPONENT, General Description.> and <Ref. to AC-12, COMPRESSOR, COMPONENT, General Description.>**