

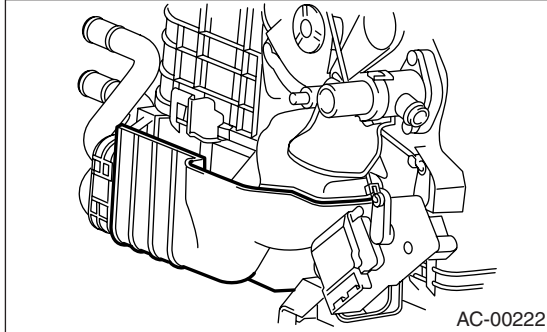
# HEATER CORE

HVAC SYSTEM (HEATER, VENTILATOR AND A/C)

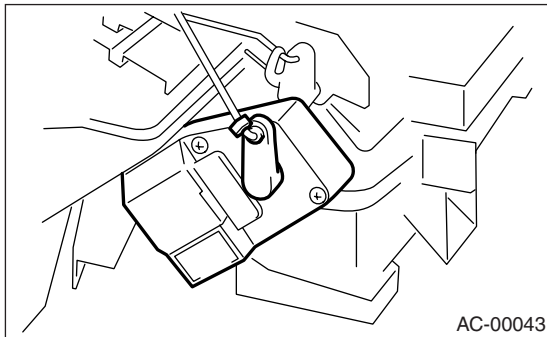
## 9. Heater Core

### A: REMOVAL

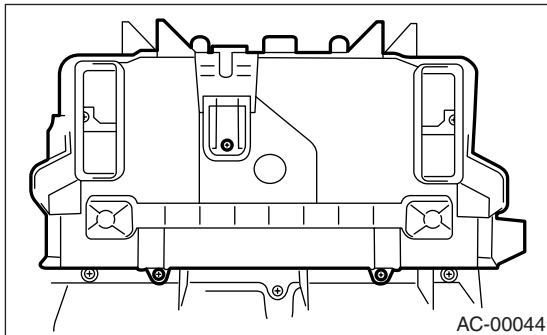
- 1) Remove the heater cooling unit. <Ref. to AC-33, REMOVAL, Heater Cooling Unit.>
- 2) Open the heater core pipe cover.



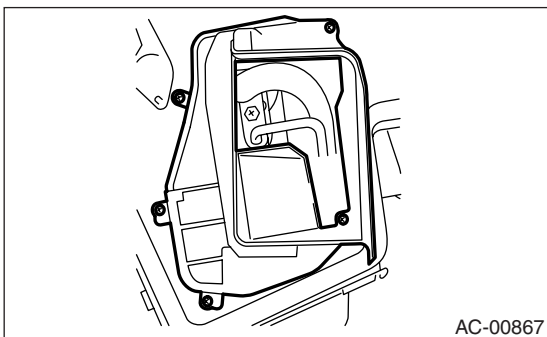
- 3) Loosen the screws to remove mode actuator.



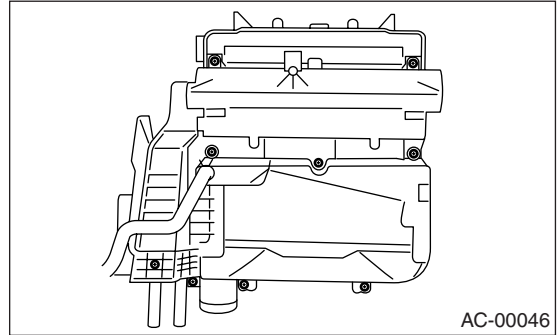
- 4) Loosen the screws to remove foot duct.



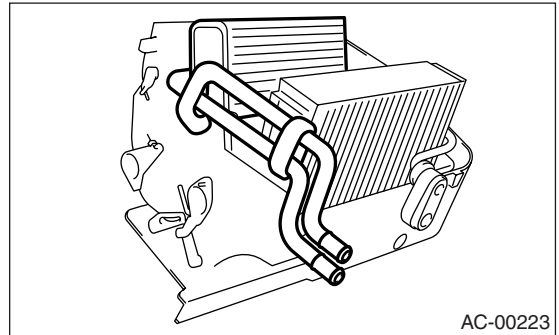
- 5) Loosen the screws to remove evaporator cover.



- 6) Loosen the screws to remove lower case.



- 7) Remove the heater core.



### B: INSTALLATION

Install in the reverse order of removal.