

# HOSE AND TUBE

HVAC SYSTEM (HEATER, VENTILATOR AND A/C)

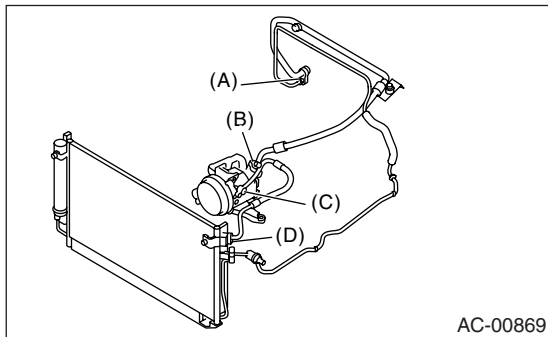
## 16.Hose and Tube

### A: REMOVAL

#### CAUTION:

- When disconnecting/connecting hoses, do not apply excessive force to them. Confirm that no torsion and excessive tension exists after installing.
- Seal the disconnected hose with a plug or vinyl tape to prevent contamination from entering.

- 1) Disconnect the ground cable from battery.
- 2) Using the refrigerant recovery system, discharge refrigerant. <Ref. to AC-20, OPERATION, Refrigerant Recovery Procedure.>
- 3) Remove the evaporator unit mounting bolt (A).
- 4) Remove the low-pressure hose attaching bolts (B).
- 5) Disconnect the low-pressure hose from evaporator unit.
- 6) Disconnect the low-pressure hose from compressor.
- 7) Remove the low-pressure hose from vehicle.
- 8) Remove the high-pressure hose attaching bolts (C).
- 9) Disconnect the high-pressure hose from compressor.
- 10) Disconnect the high-pressure hose from condenser.
- 11) Remove the high-pressure hose from vehicle.
- 12) Remove the high-pressure tube attaching bolt (D).
- 13) Remove the high-pressure tube from vehicle.



### B: INSTALLATION

#### CAUTION:

- When disconnecting/connecting hoses, do not apply an excessive force to them. Confirm that no torsion and excessive tension exists after installing.
- Seal the disconnected hose with a plug or vinyl tape to prevent contamination from entering.
- Replace the o-rings for hoses and pipes with new ones, and then apply compressor oil.

- 1) Install in the reverse order of removal.
- 2) Charge refrigerant. <Ref. to AC-21, OPERATION, Refrigerant Charging Procedure.>

#### Tightening torque:

*Refer to COMPONENT in General Description. <Ref. to AC-11, AIR CONDITIONING UNIT, COMPONENT, General Description.>*

### C: INSPECTION

#### NOTE:

If cracking, damage, or swelling is found on a hose, replace it with a new one.