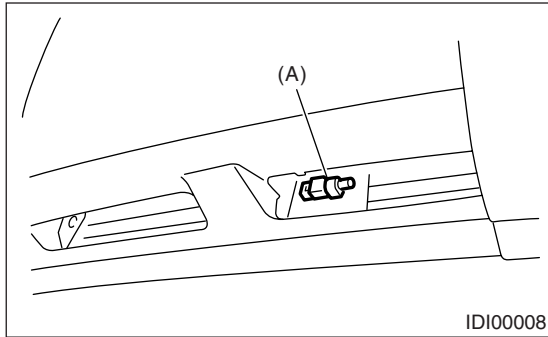


8. Ambient Sensor

A: REMOVAL

- 1) Disconnect the ground cable from battery.
- 2) Disconnect the ambient sensor connector.
- 3) Remove the ambient sensor (A) from radiator lower panel.

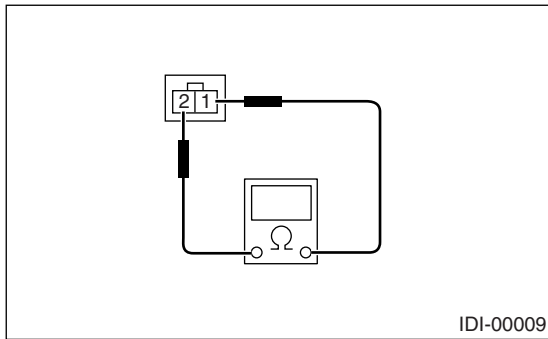


B: INSTALLATION

Install in the reverse order of removal.

C: INSPECTION

Measure the ambient sensor resistance.



| Terminal | Resistance |
|----------|---------------------------|
| 1 and 2 | 3 k Ω /25°C (77°F) |

If NG, replace the ambient sensor.