

# COMBINATION METER ASSEMBLY

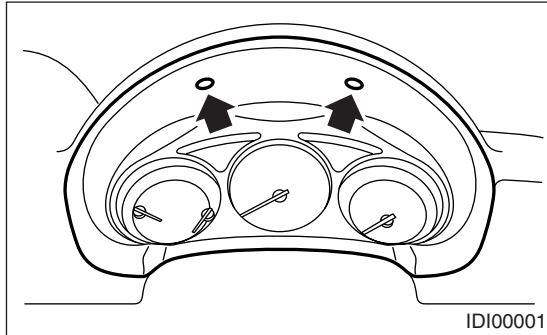
INSTRUMENTATION/DRIVER INFO

---

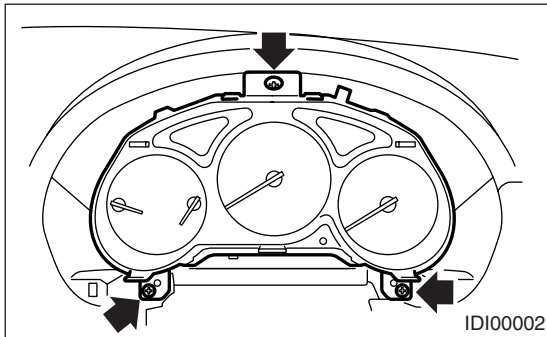
## 3. Combination Meter Assembly

### A: REMOVAL

- 1) Disconnect the ground cable from battery.
- 2) Set the tilt steering at lowest position.
- 3) Remove the screws and detach meter visor.



- 4) Remove the screws of combination meter and pull out the meter toward you.



- 5) Disconnect the connector in the upper area of combination meter to remove meter.

### CAUTION:

- Be careful not to damage the meter or instrument panel.
- Pay particular attention to avoid damaging the meter glass.

### B: INSTALLATION

Install in the reverse order of removal.

### CAUTION:

- Make sure that electrical connector is connected securely.
- Make sure that each meter operates normally.

# COMBINATION METER ASSEMBLY

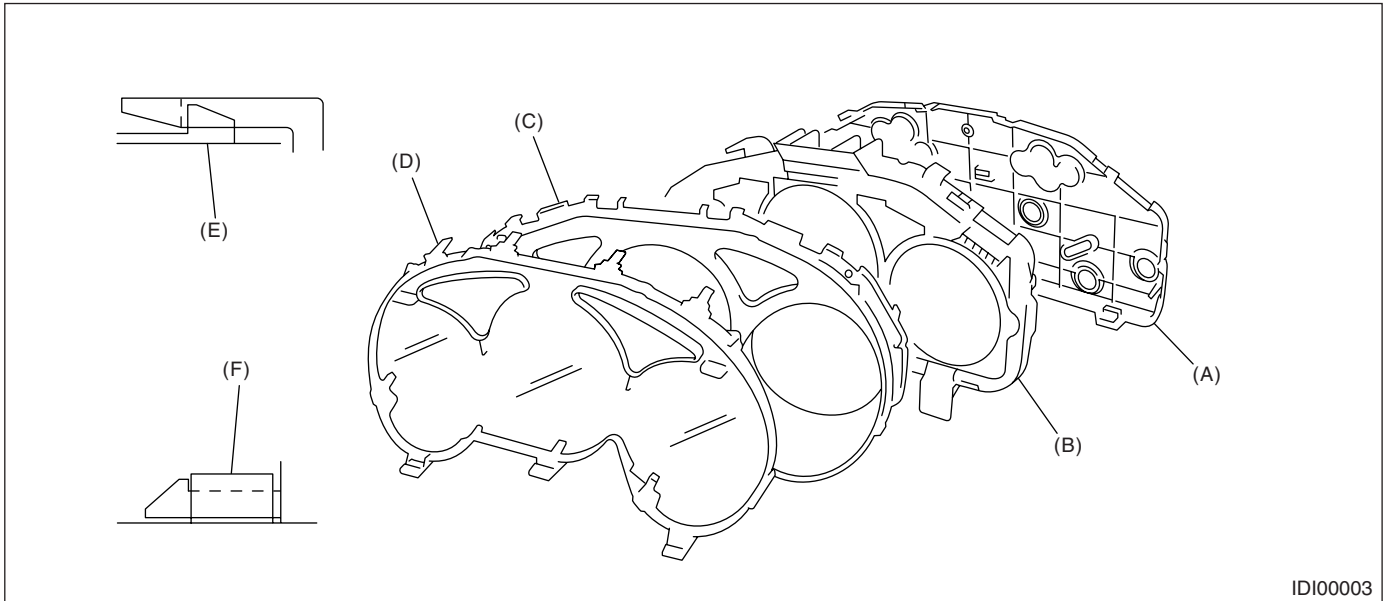
INSTRUMENTATION/DRIVER INFO

## C: DISASSEMBLY

### CAUTION:

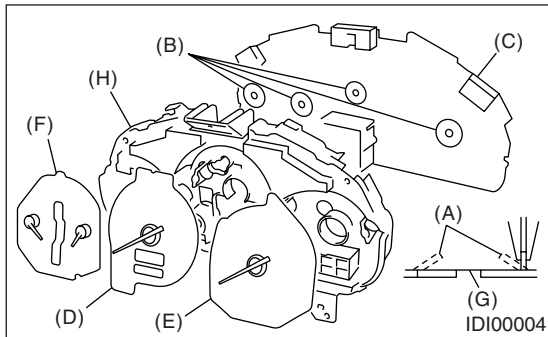
Use gloves to avoid damage and getting fingerprints on the glass surface and meter surfaces.

- 1) Disengage the claw (E) to remove case (B) from back cover (A).
- 2) Disengage the claw (F) to remove meter glass (D) and reflector (C) from inner case.

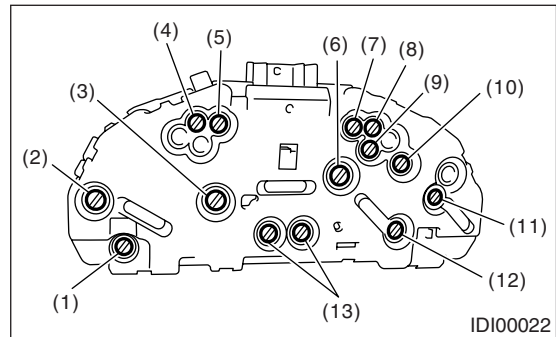


3) Pull up the claw (A) in portion (B) of combination meter printed circuit (C) with combination pliers. Push out the speedometer (D), tachometer (E) and fuel gauge & water temperature gauge assembly (F) using hole (G).

4) Pull up the claw in center of combination meter printed circuit (C), and remove the printed circuit from case (H).



## 1. BULB REPLACEMENT



- (1) Charge warning light
- (2) Tachometer
- (3) Speedometer & tachometer
- (4) HI-beam indicator light
- (5) Turn signal indicator light RH
- (6) Speedometer
- (7) Turn signal indicator light LH
- (8) Cruise indicator light
- (9) Brake warning light
- (10) ABS warning light
- (11) Fuel gauge
- (12) Temperature gauge
- (13) LCD (Outside temperature indicator, Odometer and tripmeter)

## D: ASSEMBLY

Assemble in the reverse order of disassembly.