

# SPEEDOMETER

INSTRUMENTATION/DRIVER INFO

## 4. Speedometer

### A: REMOVAL

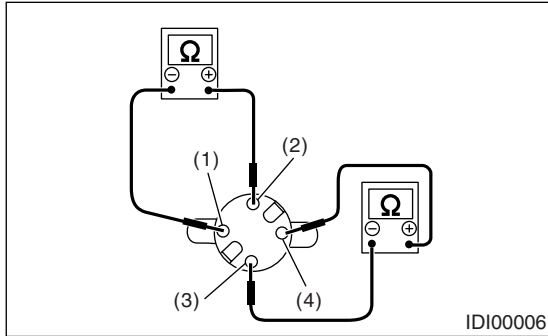
Disassemble the combination meter, and then remove the speedometer. <Ref. to IDI-11, DISASSEMBLY, Combination Meter Assembly.>

### B: INSTALLATION

Install in the reverse order of removal.

### C: INSPECTION

Measure the speedometer resistance.



- (1) COS-
- (2) COS+
- (3) SIN-
- (4) SIN+

Terminal	Resistance
Terminals SIN+ and SIN-	$200 \pm 8 \Omega$
Terminals COS+ and COS-	$200 \pm 8 \Omega$

If NG, replace the speedometer.

If OK, replace the combination meter printed circuit.