

7. Interior Light System

A: WIRING DIAGRAM

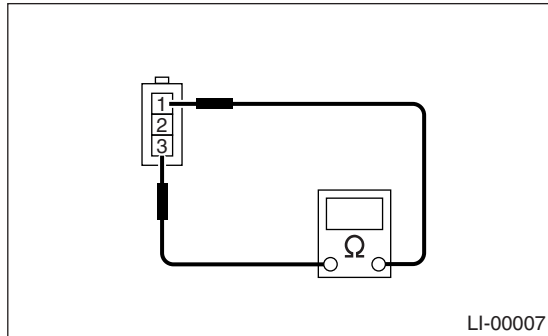
1. INTERIOR LIGHT

<Ref. to WI-118, SCHEMATIC, In Compartment Light System.>

B: INSPECTION

1. DOOR SWITCH

Measure the door switch resistance.



Switch position	Terminal No.	Standard
When door is opened	1 and 3	Less than 1 Ω
When door is closed		More than 1 MΩ

2. REAR GATE LATCH SWITCH

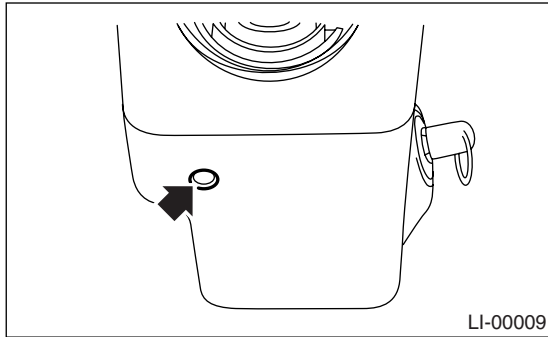
Measure the rear gate latch switch resistance.

Switch position	Terminal No.	Standard
When rear gate is opened	1 and 2	Less than 1 Ω
When rear gate is closed		More than 1 MΩ

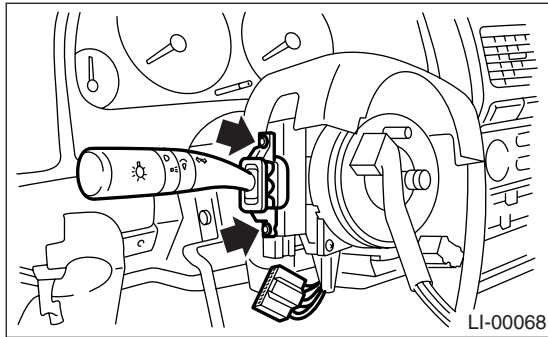
8. Combination Switch (Light)

A: REMOVAL

- 1) Disconnect the ground cable from battery.
- 2) Remove the instrument panel lower cover. <Ref. to EI-37, REMOVAL, Instrument Panel Assembly.>
- 3) Remove the screws which secure upper column cover to lower column cover.



- 4) Disconnect the connector from combination switch.
- 5) Remove the screws which secure switch, and then remove the switch.

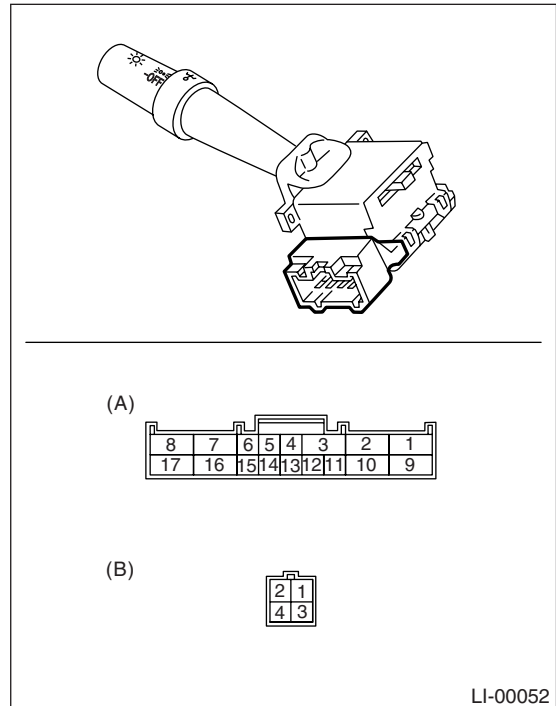


B: INSTALLATION

Install in the reverse order of removal.

C: INSPECTION

Measure the combination switch resistance.



- (A) Lighting & turn signal switch connector
 (B) Parking switch connector

1. LIGHTING SWITCH

Switch position	Terminal No.	Standard
OFF	—	More than 1 MΩ
Tail	14 and 16	Less than 1 Ω
Head	13, 14 and 16	Less than 1 Ω

2. DIMMER AND PASSING SWITCH

Switch position	Terminal No.	Standard
Passing	7, 8 and 16	Less than 1 Ω
Low beam	16 and 17	Less than 1 Ω
High beam	7 and 16	Less than 1 Ω

3. TURN SIGNAL SWITCH

Switch position	Terminal No.	Standard
Left	1 and 2	Less than 1 Ω
Neutral	—	More than 1 MΩ
Right	2 and 3	Less than 1 Ω

4. PARKING SWITCH

Switch position	Terminal No.	Standard
OFF	2 and 4	Less than 1 Ω
ON	1 and 4	Less than 1 Ω