

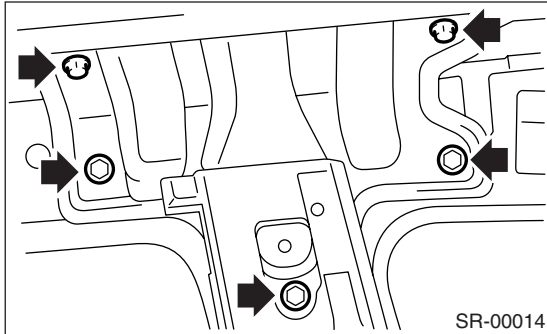
SUNROOF ASSEMBLY

SUNROOF/T-TOP/CONVERTIBLE TOP (SUNROOF)

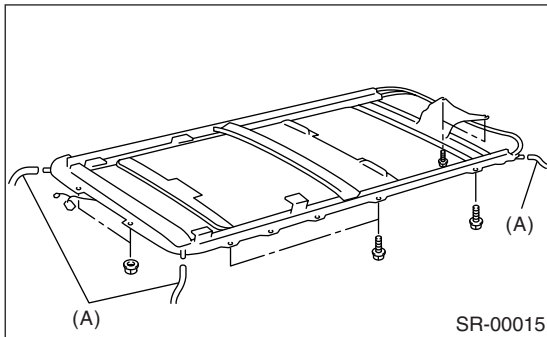
4. Sunroof Assembly

A: REMOVAL

- 1) Disconnect the ground cable from battery.
- 2) Remove roof trim. <Ref. to EI-44, REMOVAL, Roof Trim.>
- 3) Remove sunroof lid. <Ref. to SR-5, REMOVAL, Sunroof Lid.>
- 4) Disconnect the four drain tubes (A) from sunroof frame.
- 5) Disconnect sunroof harness connector.
- 6) Remove the bolts, and then remove the frame bracket.



- 7) Remove bolts and nuts and then detach sunroof frame.



B: INSTALLATION

Install in the reverse order of removal.

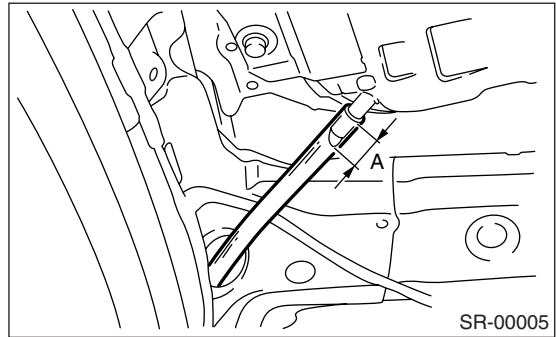
CAUTION:

Be careful not to snag harness.

NOTE:

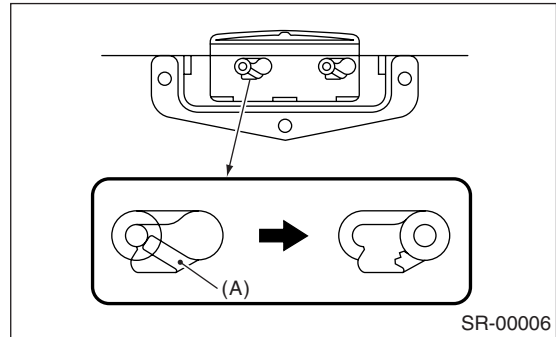
- Make sure to connect harness connector.
- When installing drain tube, insert it securely into drain pipe.

Length A:
15 mm (0.59 in) or more

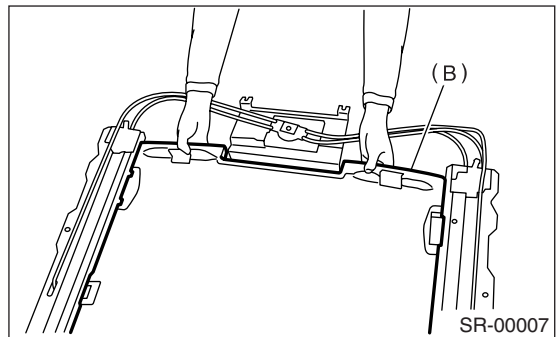


C: DISASSEMBLY

- 1) Remove sunroof frame.
- 2) Cut the pawl (A) of front sunshade RH.
- 3) Remove the front slider RH.



- 4) Pull out the sunshade (B) from sunroof frame.



D: ASSEMBLY

Assemble in the reverse order of disassembly.

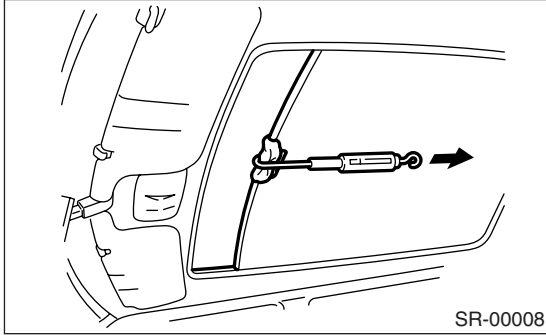
SUNROOF ASSEMBLY

SUNROOF/T-TOP/CONVERTIBLE TOP (SUNROOF)

E: INSPECTION

1. CHECK FOR MOVEMENT OF SUNSHADE

1) Attach a spring scale to sunshade edge using a cloth.



2) Pull the spring scale to measure force required to move the sunshade.

**Force required to move sunshade:
25 N (2.5 kgf, 5.5 lb) or less**

NOTE:

Considerable effort is required to start sunshade moving, so take a scale reading while sunroof panel is moving smoothly.

3) If force required exceeds specifications, check the sunroof glass lid, sunshade and deflector, and guide rail assembly for improper installation