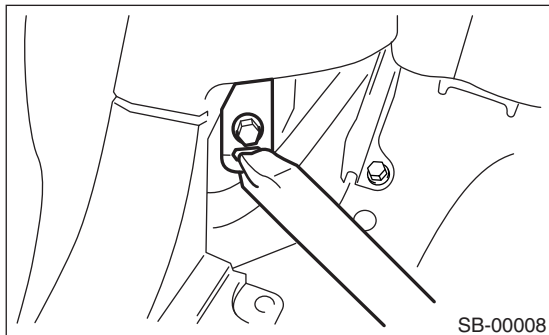


### 5. Rear Seat Belt

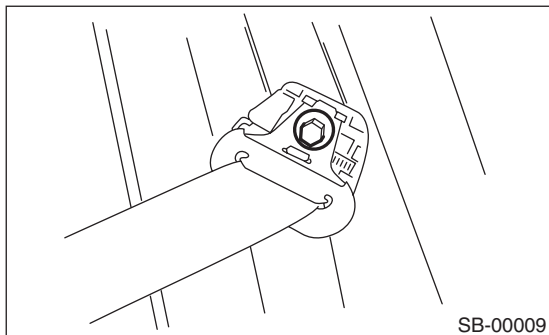
#### A: REMOVAL

##### 1. OUTER BELT RH AND LH

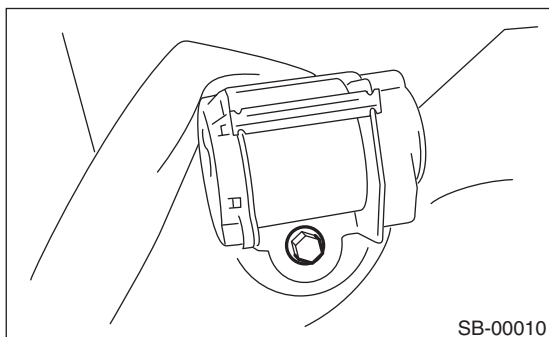
- 1) Remove the luggage floor mat. <Ref. to EI-47, REMOVAL, Luggage Floor Mat.>
- 2) Remove the rear seat. <Ref. to SE-13, REMOVAL, Rear Seat.>
- 3) Remove the rear quarter trim. <Ref. to EI-42, REMOVAL, Rear Quarter Trim.>
- 4) Remove the seat belt lower anchor bolt.



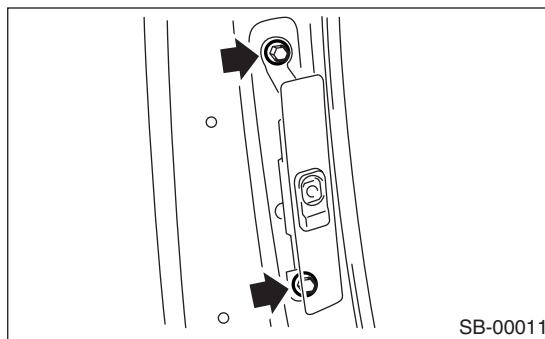
- 5) Remove the anchor cover. Remove the bolt and shoulder anchor from pillar.



- 6) Remove the rear quarter trim. <Ref. to EI-42, REMOVAL, Rear Quarter Trim.>
- 7) Remove the bolts, and then detach the outer belt side.

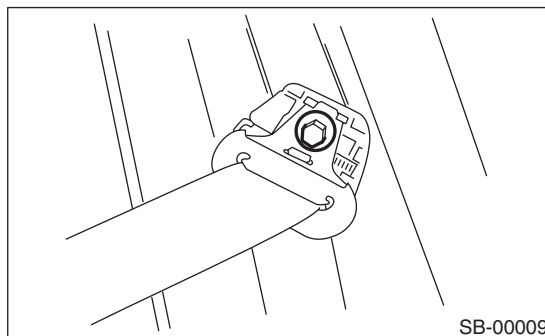


- 8) Remove the two bolts and adjustable anchor assembly.

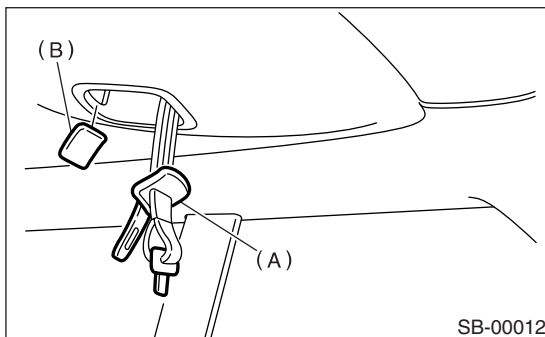


##### 2. OUTER BELT CENTER

- 1) Remove the anchor cover. Remove the bolt and then detach the shoulder anchor from pillar.



- 2) Remove the strut cap. <Ref. to EI-42, REMOVAL, Rear Quarter Trim.>
- 3) Remove the rear rail trim. <Ref. to EI-42, REMOVAL, Rear Quarter Trim.>
- 4) Remove the rear pillar upper trim. <Ref. to EI-42, REMOVAL, Rear Quarter Trim.>
- 5) Remove the rear skirt trim. <Ref. to EI-42, REMOVAL, Rear Quarter Trim.>
- 6) Remove the rear quarter lower trim. <Ref. to EI-42, REMOVAL, Rear Quarter Trim.>
- 7) Remove the cover (B) while detaching snap lock carefully. Put the outer belt center tongue (A) out to the other side of the trim through the hole.

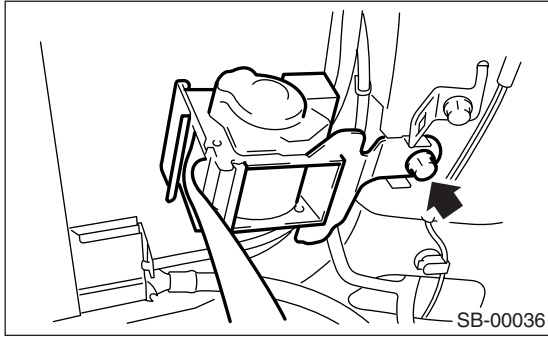


- 8) Remove the clips and hang down rear end of roof trim.

# REAR SEAT BELT

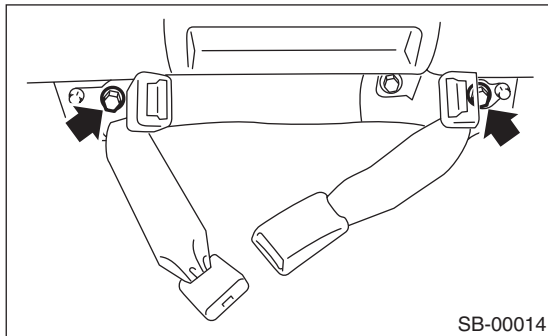
## SEAT BELT SYSTEM

- 9) Disconnect the harness and connector, and then remove the outer belt center assembly.



### 3. INNER BELT

- 1) Remove the rear cushion.
- 2) Remove the bolt, and then detach the inner belt.



## B: INSTALLATION

### 1. OUTER BELT RH AND LH

Install in the reverse order of removal.

#### CAUTION:

- During installation, make sure that the seat belts are not twisted.
- After installation, make sure that the seat belts can be smoothly extended and wound.

#### Tightening torque:

<Ref. to SB-3, REAR SEAT BELT, COMPONENT, General Description.>

### 2. OUTER BELT CENTER

Install in the reverse order of removal.

#### CAUTION:

- During installation, make sure that the seat belts are not twisted.
- After installation, make sure that the seat belts are smoothly extended and wound.

#### Tightening torque:

<Ref. to SB-3, REAR SEAT BELT, COMPONENT, General Description.>

### 3. INNER BELT

Install in the reverse order of removal.

#### CAUTION:

During installation, make sure that the seat belts are not twisted.

#### Tightening torque:

<Ref. to SB-3, REAR SEAT BELT, COMPONENT, General Description.>

## C: INSPECTION

### 1. OUTER BELT RH AND LH

Check for the following, and replace with new parts if necessary.

- Seat belt is slackened, bent, or frayed. Seat belt is abnormally wound or extended.

### 2. OUTER BELT CENTER

Check for the following, and replace with new parts if necessary.

- Seat belt is slackened, bent, or frayed. Seat belt is abnormally wound or extended.

### 3. INNER BELT

Check for the following, and replace with new parts if necessary.

- Inner belt is deformed or damaged.
- Seat belt buckle is engaged improperly.