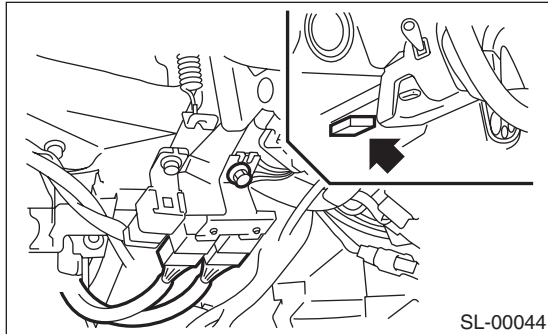


23. Interrupt Relay

A: REMOVAL

- 1) Disconnect the ground cable from battery.
- 2) Remove the mounting nuts and detach the interrupt relay (near the fuse box).



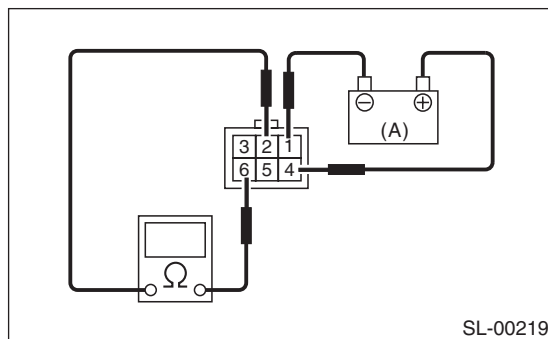
B: INSTALLATION

Install in the reverse order of removal.

C: INSPECTION

Measure the interrupt relay resistance between terminals (indicated in the table below) when connecting terminal No.4 to battery positive terminal and terminal No.1 to battery ground terminal.

Current	Terminal No.	Standard
Flow	2 and 6	More than 1 M Ω
No flow		Less than 1 Ω



(A) Battery

If NG, replace the interrupt relay.