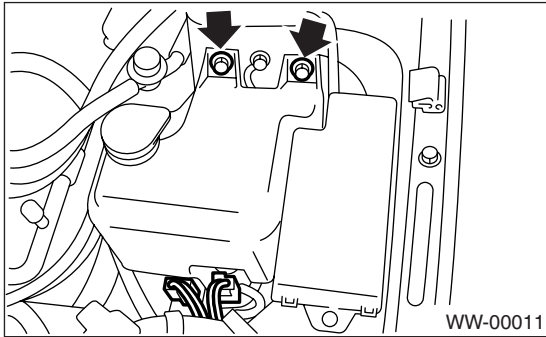


## 5. Washer Tank and Motor

### A: REMOVAL

- 1) Open the hood.
- 2) Disconnect the ground cable from battery.
- 3) Remove the two bolts, hose and connector, and then remove the tank.



### B: INSTALLATION

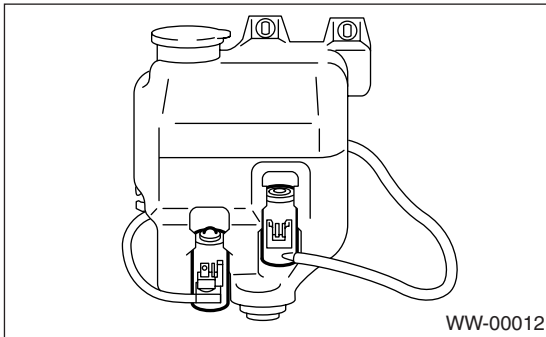
Install in the reverse order of removal.

#### *Tightening torque:*

**6.0 N·m (0.61 kgf-m, 4.4 ft-lb)**

### C: DISASSEMBLY

Pull out the washer motor from tank.



### D: ASSEMBLY

- 1) Assemble in the reverse order of disassembly.
- 2) Confirm that water does not leak from installation area of motor.

### E: INSPECTION

Apply battery voltage to the connector terminal of the washer motor and make sure the motor operates.

