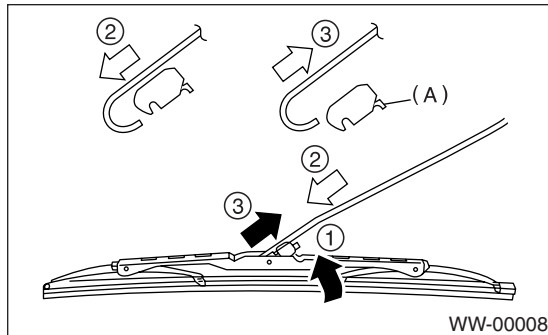


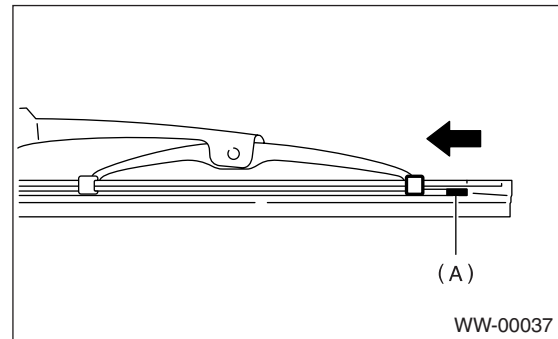
4. Wiper Blade

A: REMOVAL

While pushing the locking clip (A) up, pull out the blade from arm to arrow direction.



2) Make sure the wiper rubber is securely fastened to the pull stopper (A).

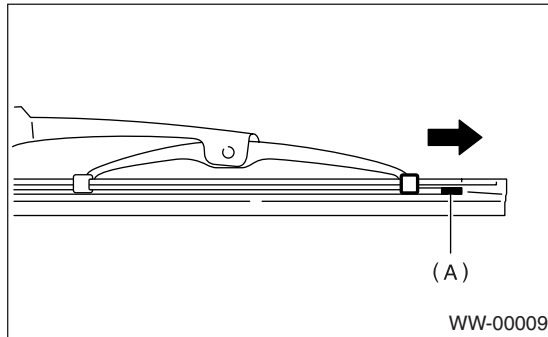


B: INSTALLATION

- 1) Install in the reverse order of removal.
- 2) Confirm that the clip is locked securely.

C: DISASSEMBLY

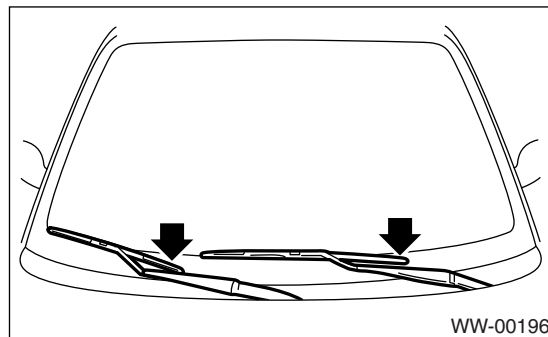
Pull on side (A) of the wiper rubber stopper and remove the rubber from the blade assembly.



D: ASSEMBLY

1. METAL TYPE

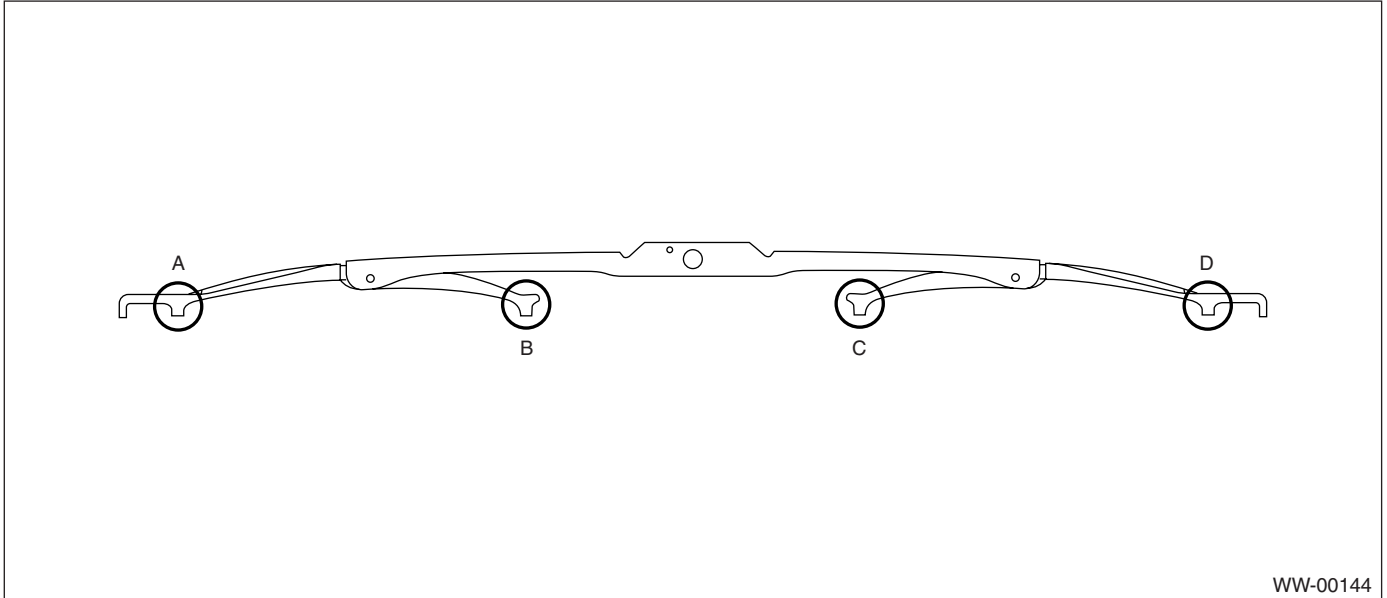
- 1) Insert the wiper rubber onto the blade so that the stopper is in the position shown.



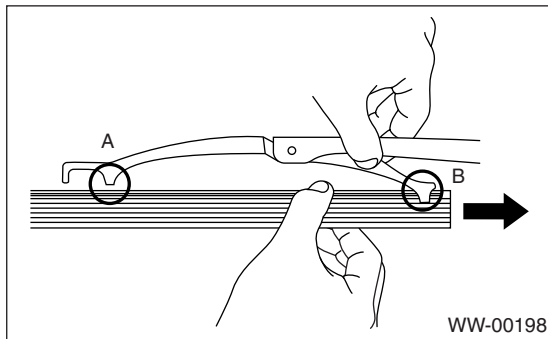
WIPER BLADE

WIPER AND WASHER SYSTEMS

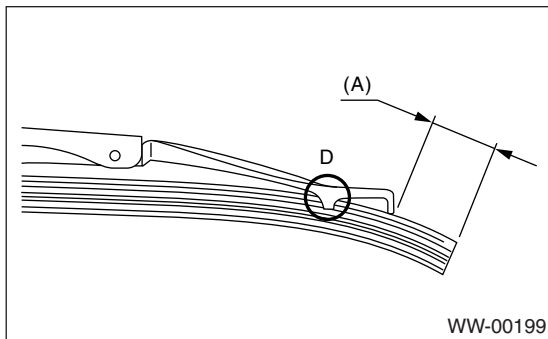
2. RESIN TYPE



1) Insert the wiper rubber through the claw (B).

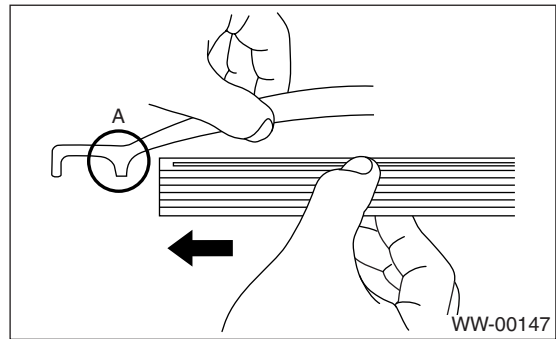


2) Insert the wiper rubber top until it protrudes about 20 mm (0.79 in) from the stopper (D).



(A) 20 mm (0.79 in)

3) Insert the wiper rubber into the claw (A).



E: INSPECTION

1) When the wiper does not perform well, inspect the following:

- Make sure the movable part of the blade assembly moves smoothly.
- Make sure the wiper rubber is not deformed or damaged.

2) Replace with a new part if damage is found.