

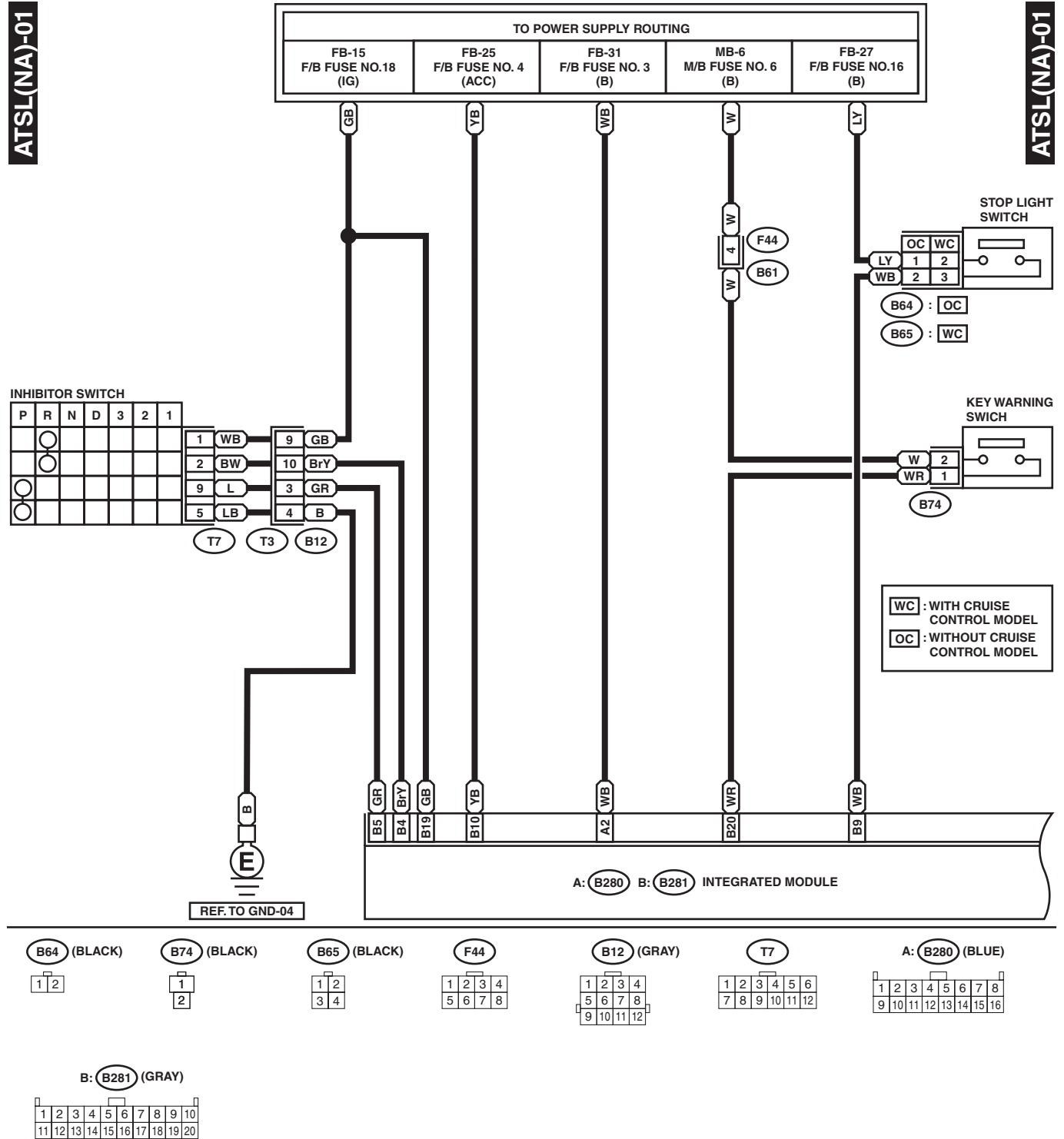
AT SHIFT LOCK CONTROL SYSTEM

WIRING SYSTEM

9. AT Shift Lock Control System

A: WIRING DIAGRAM

1. NON-TURBO MODEL

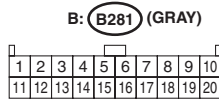
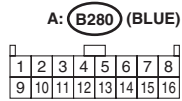
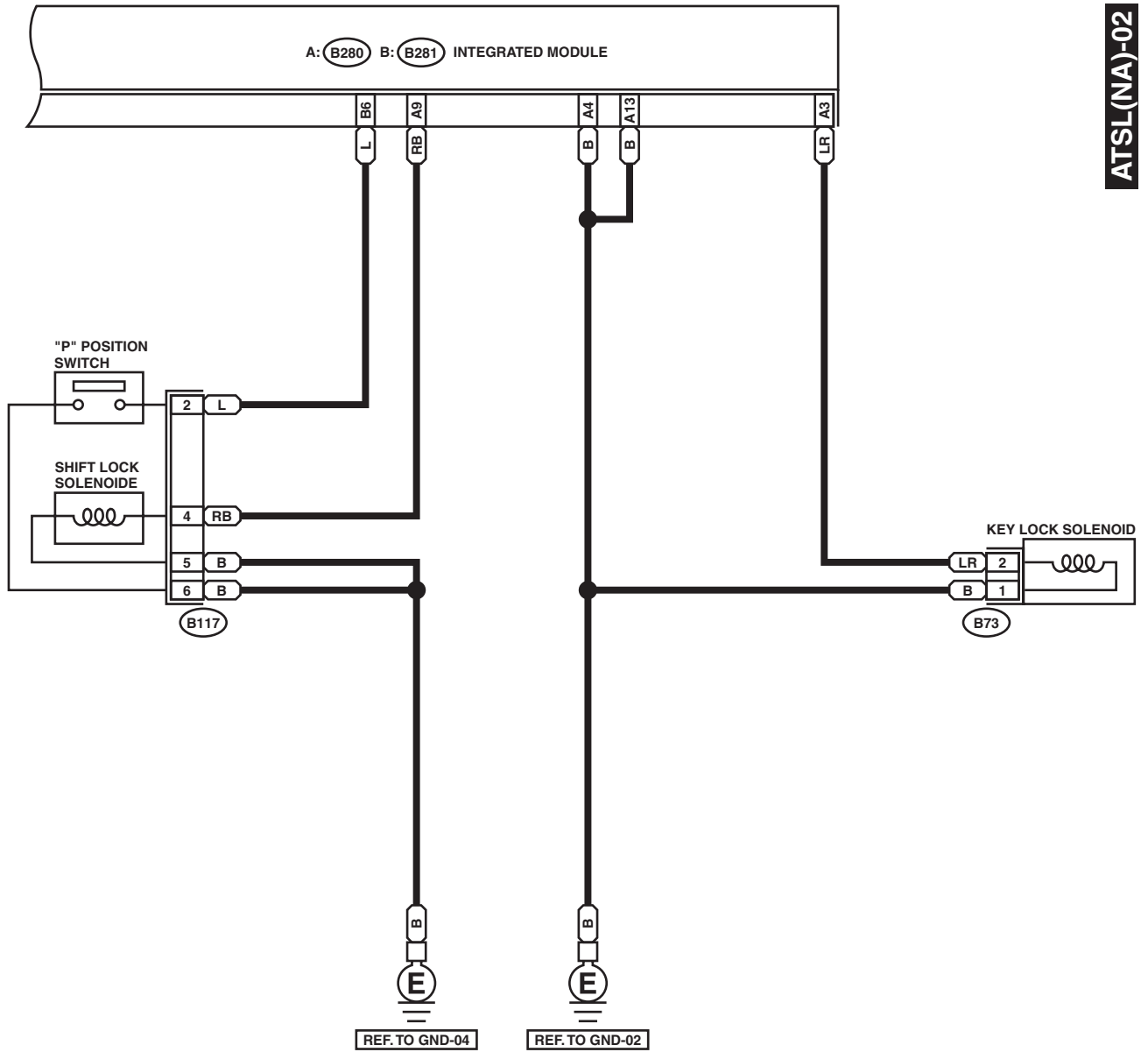


AT SHIFT LOCK CONTROL SYSTEM

WIRING SYSTEM

ATSL(NA)-02

ATSL(NA)-02

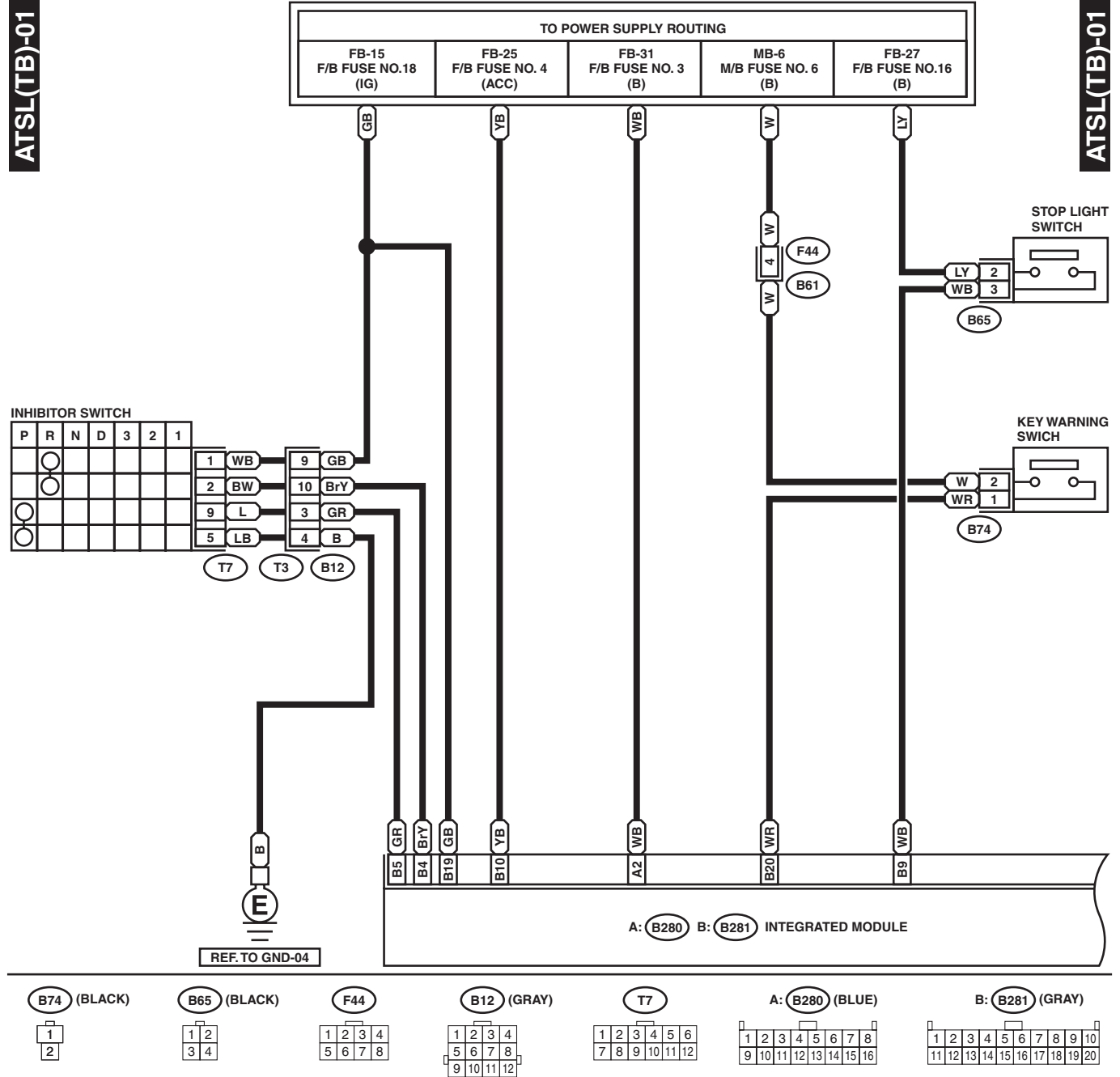


WI-03017

AT SHIFT LOCK CONTROL SYSTEM

WIRING SYSTEM

2. TURBO MODEL



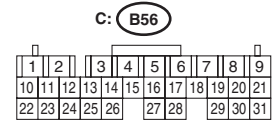
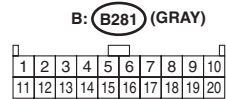
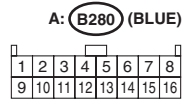
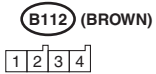
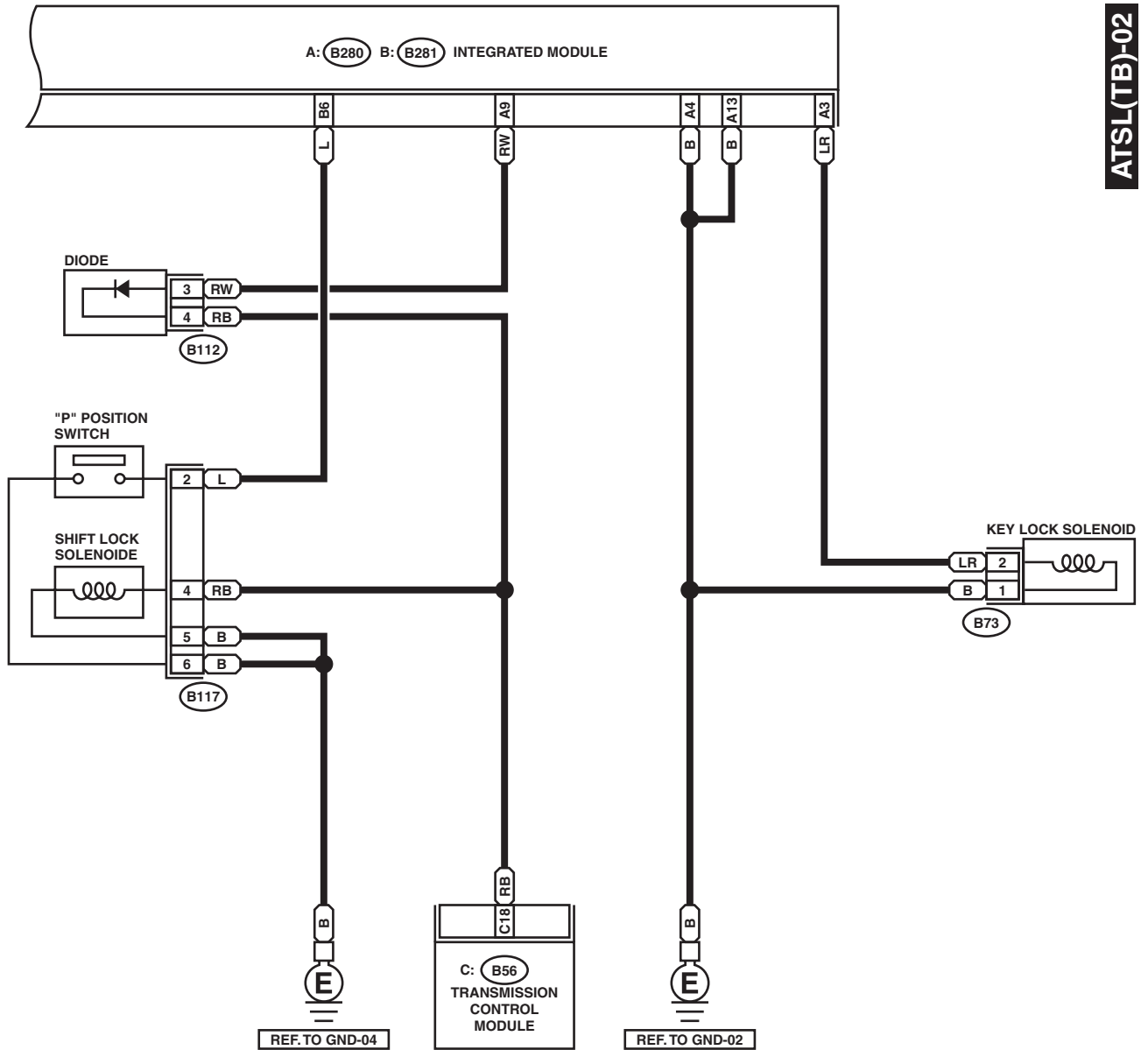
WI-03018

AT SHIFT LOCK CONTROL SYSTEM

WIRING SYSTEM

ATSL(TB)-02

ATSL(TB)-02



WI-03019