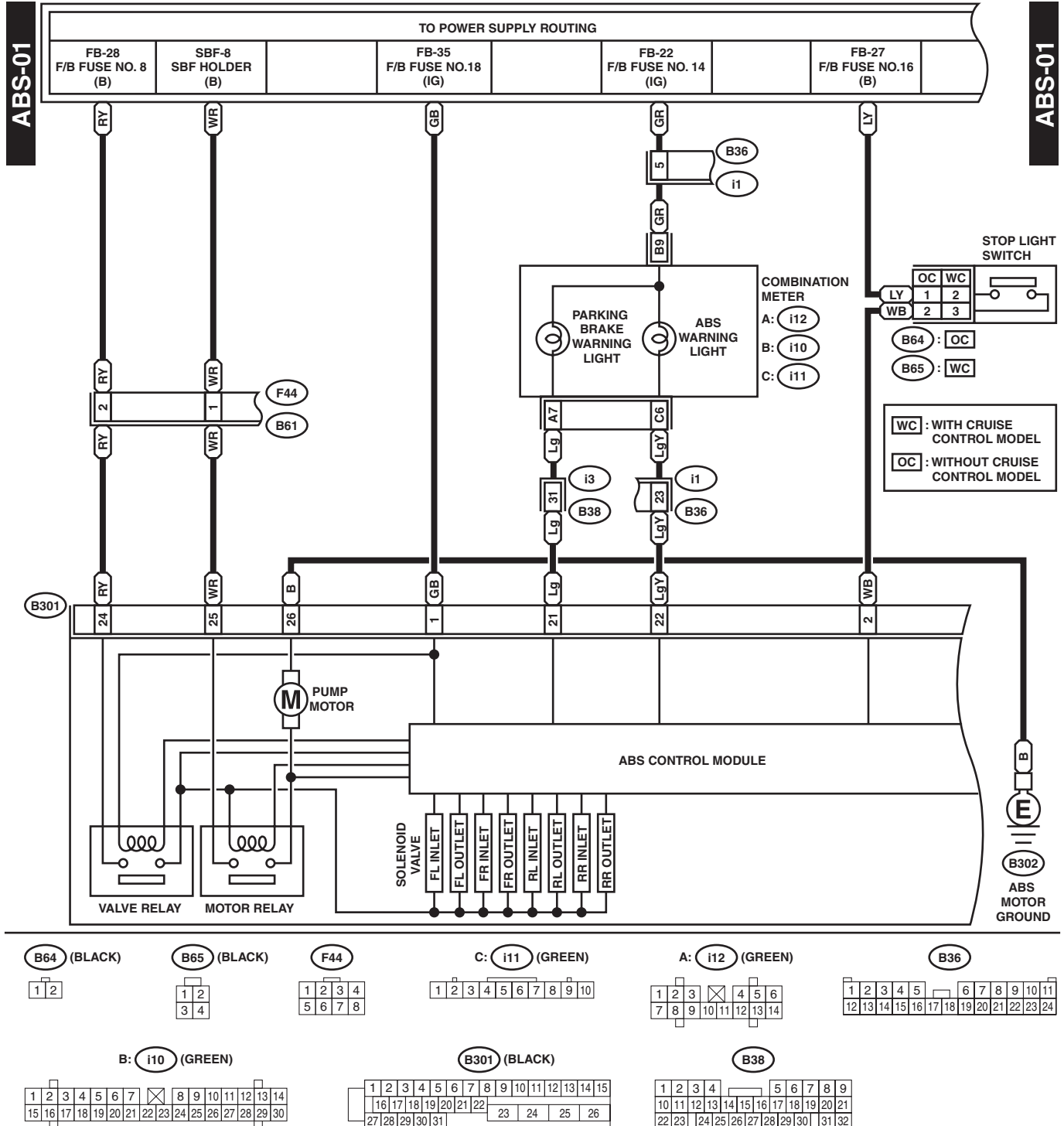


7. Anti-lock Brake System

A: WIRING DIAGRAM

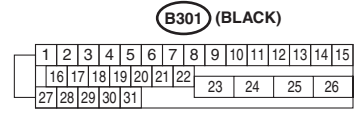
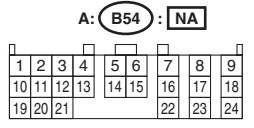
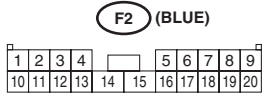
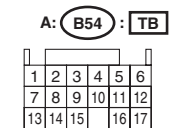
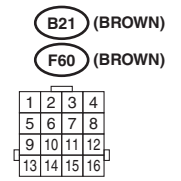
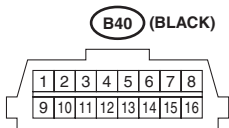
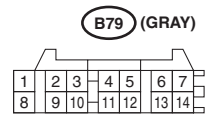
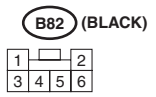
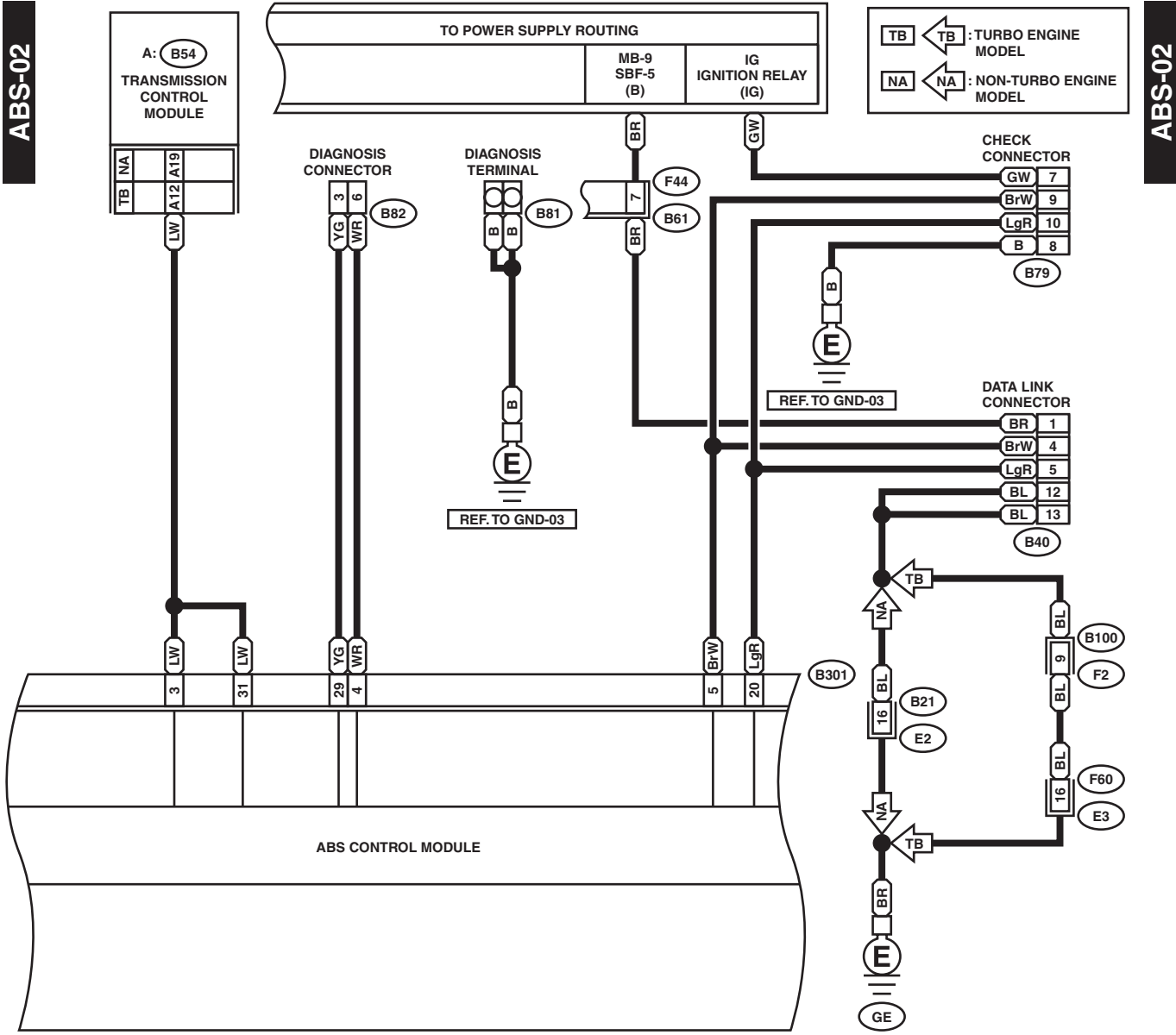


ANTI-LOCK BRAKE SYSTEM

WIRING SYSTEM

ABS-02

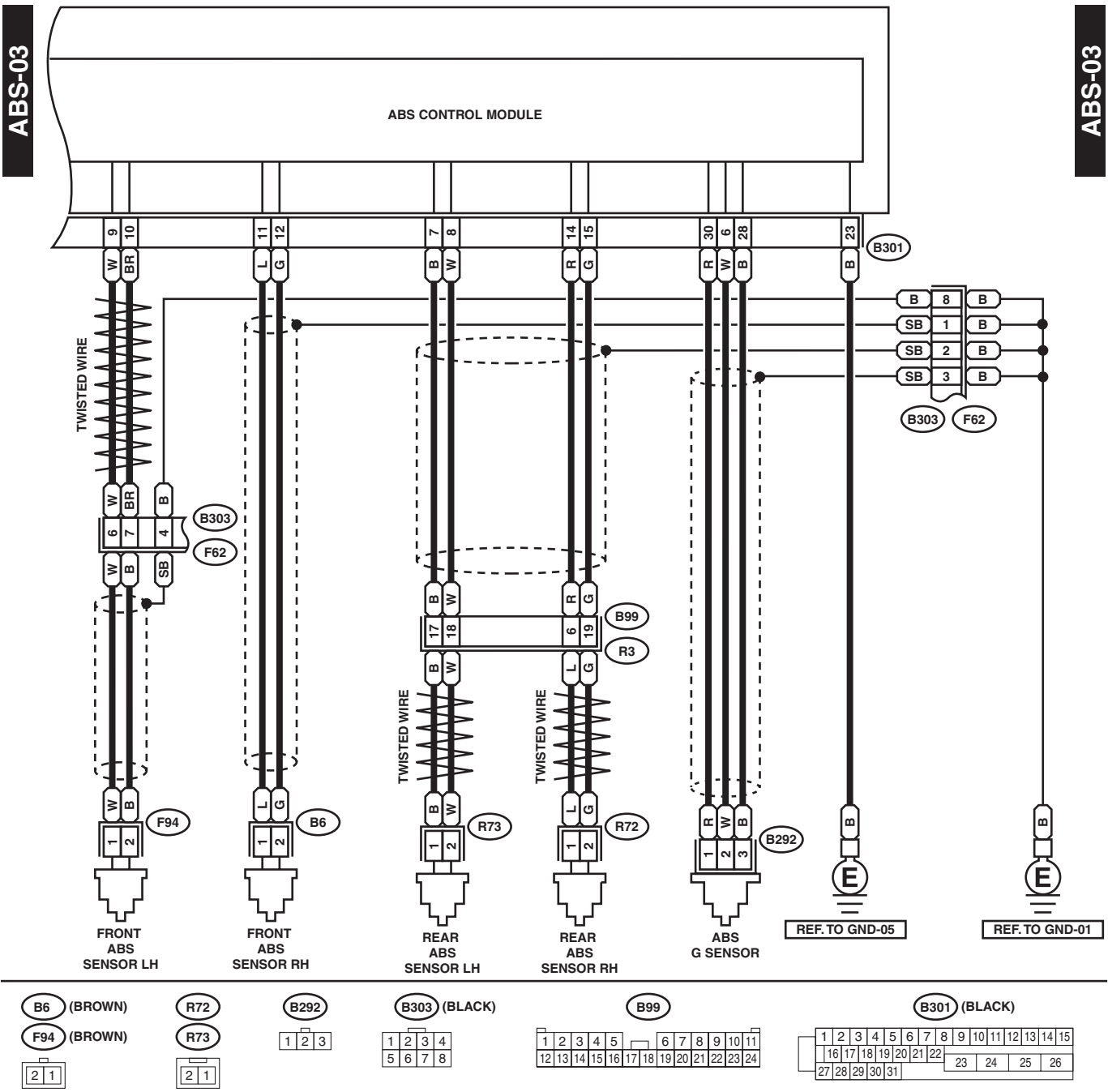
ABS-02



WI-03002

ANTI-LOCK BRAKE SYSTEM

WIRING SYSTEM



WI-03003