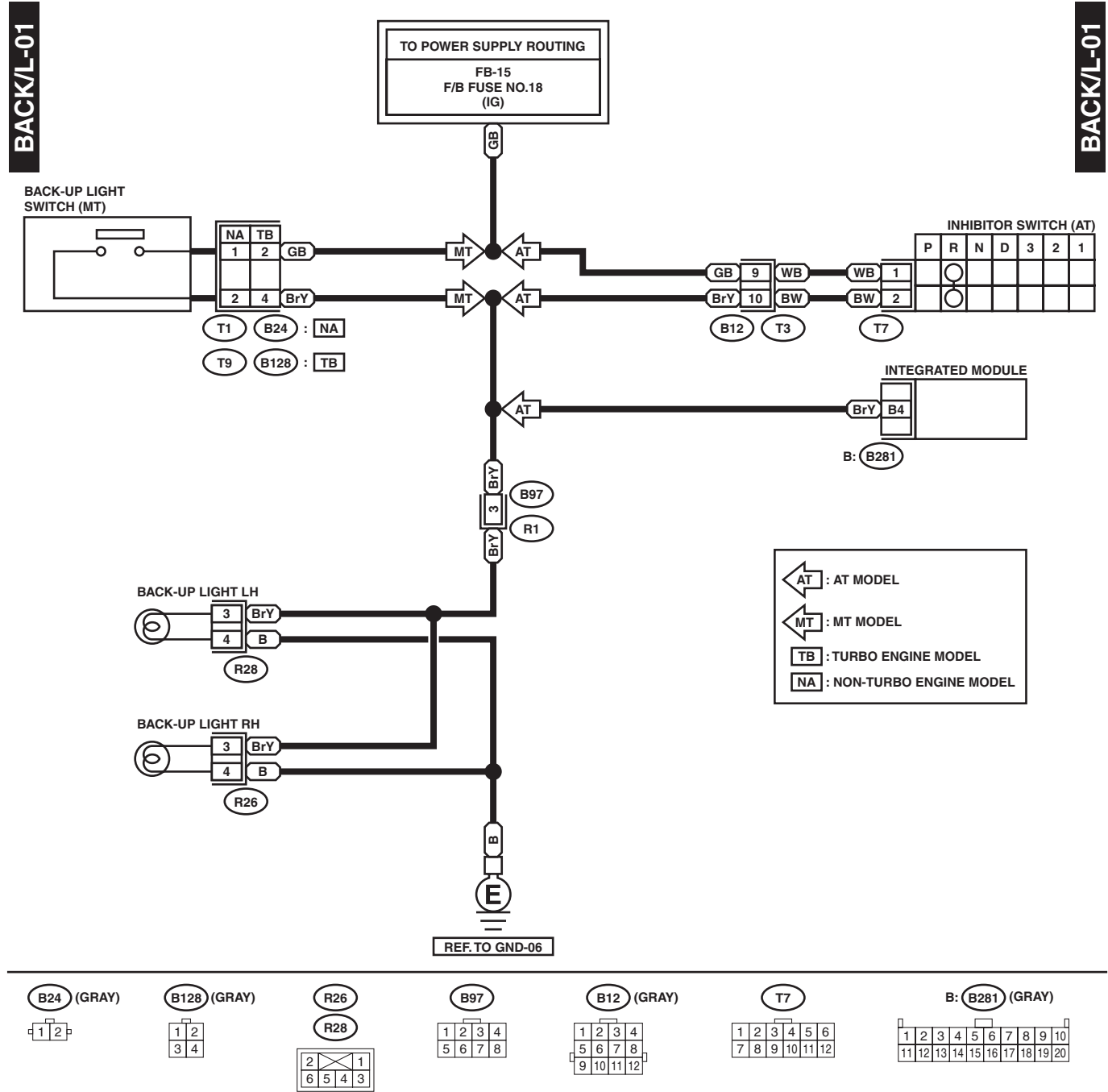


# BACK-UP LIGHT SYSTEM

WIRING SYSTEM

## 23.Back-up Light System

### A: WIRING DIAGRAM



WI-03064