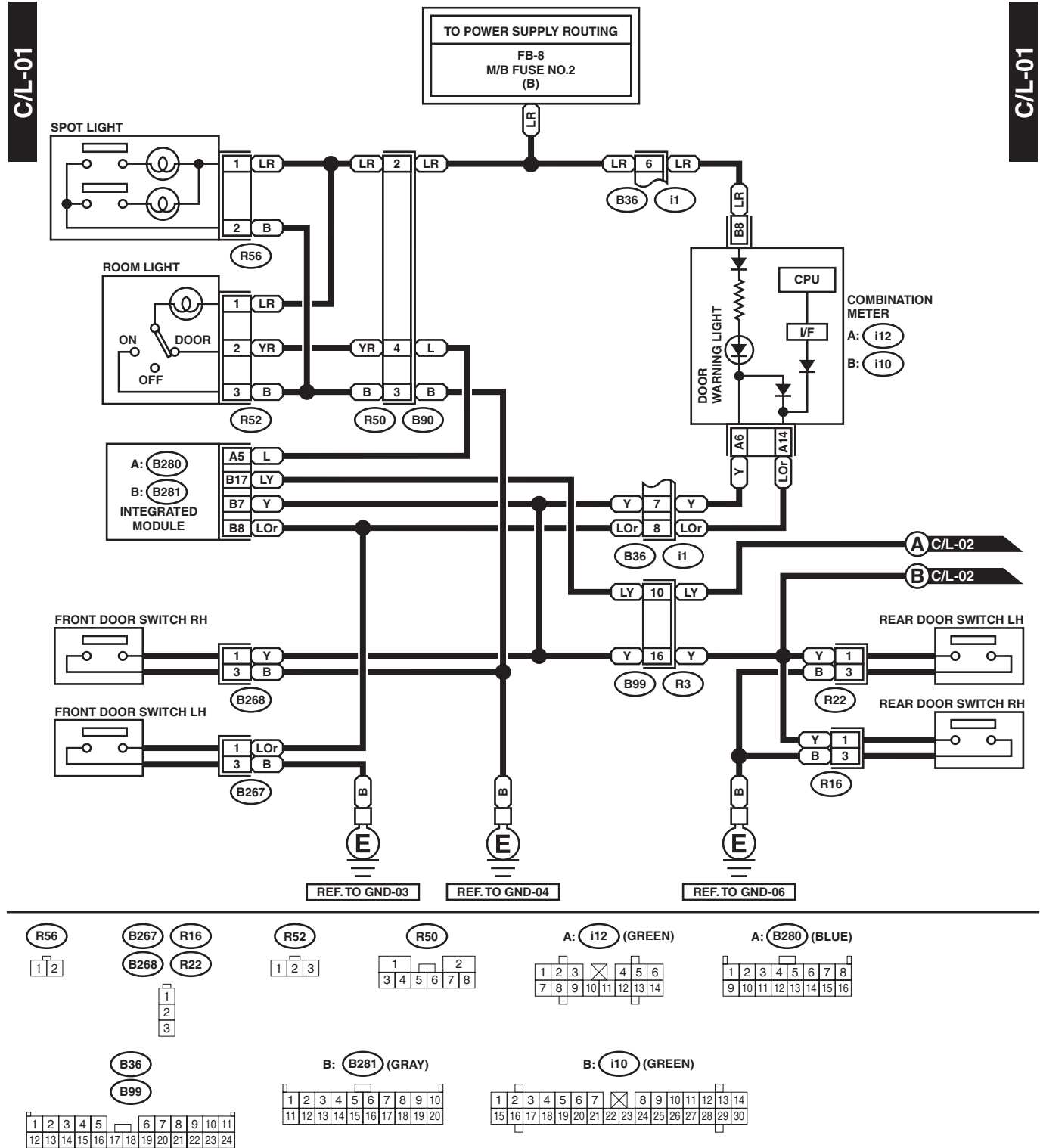


# IN COMPARTMENT LIGHT SYSTEM

WIRING SYSTEM

## 27. In Compartment Light System

### A: WIRING DIAGRAM



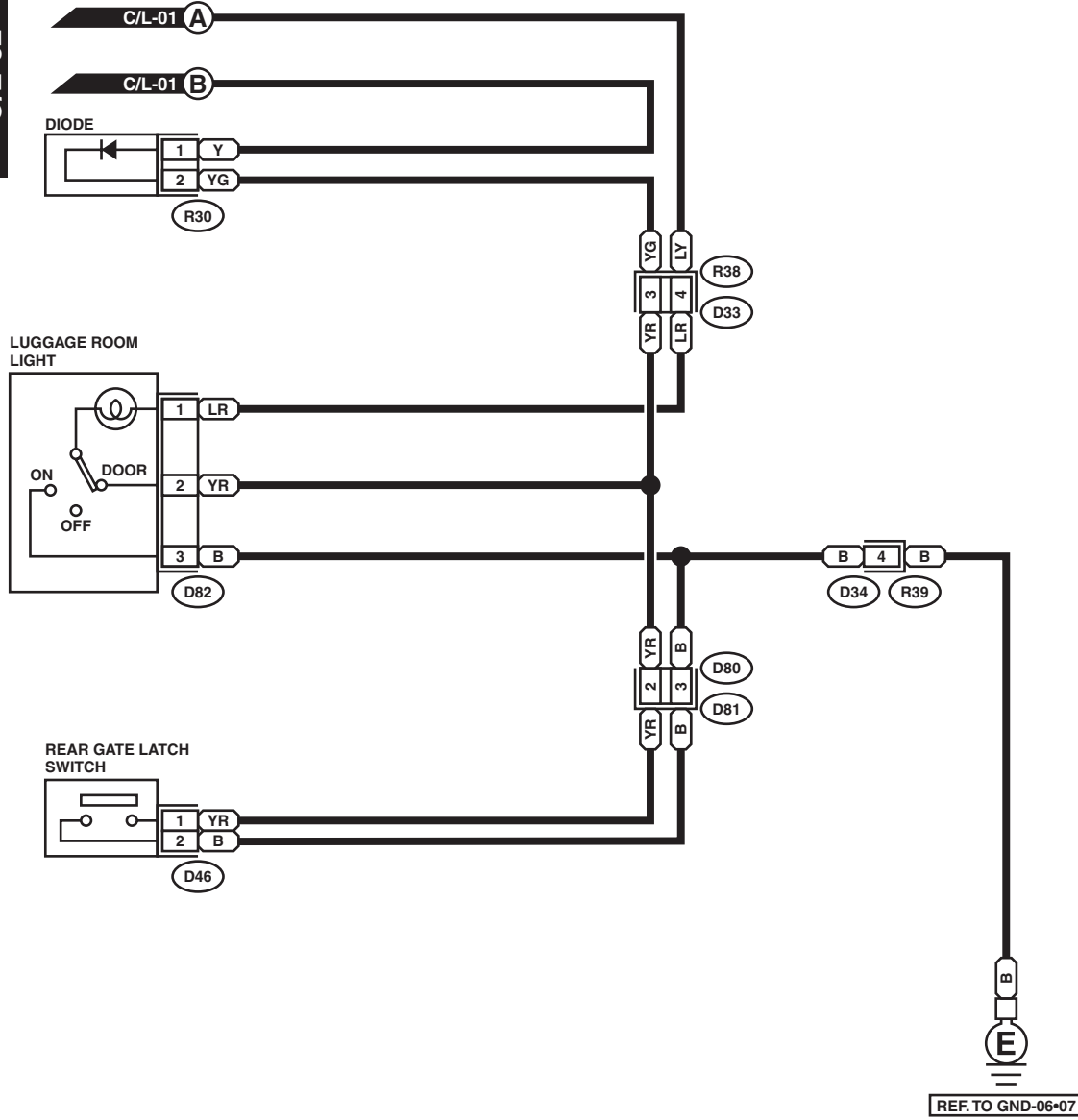
WI-03072

# IN COMPARTMENT LIGHT SYSTEM

WIRING SYSTEM

C/L-02

C/L-02



D46 (BLACK)



D82



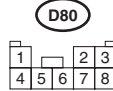
R30



D33 (BLACK)



D34



WI-03073