

POWER SUPPLY ROUTING

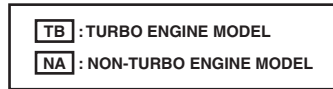
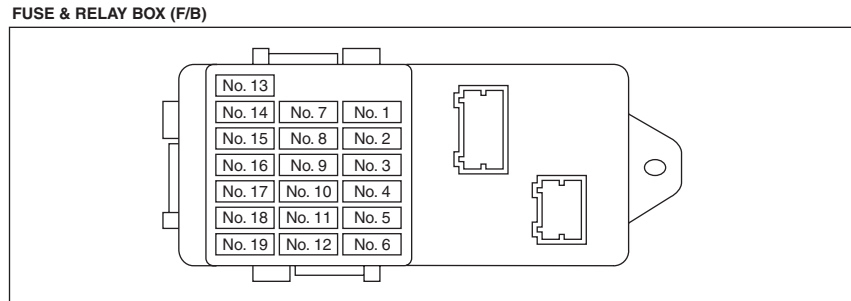
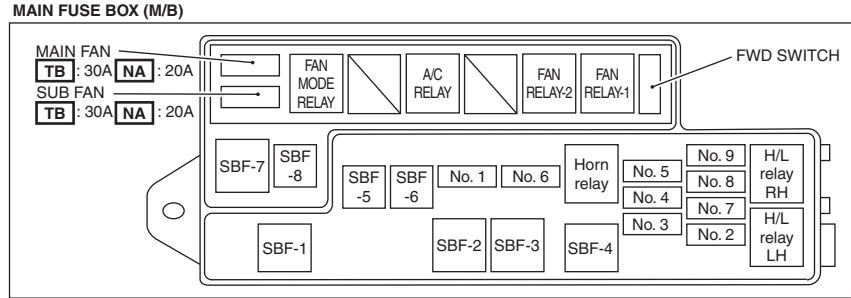
WIRING SYSTEM

3. Power Supply Routing

A: WIRING DIAGRAM

P-SUP-01

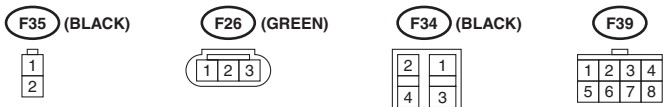
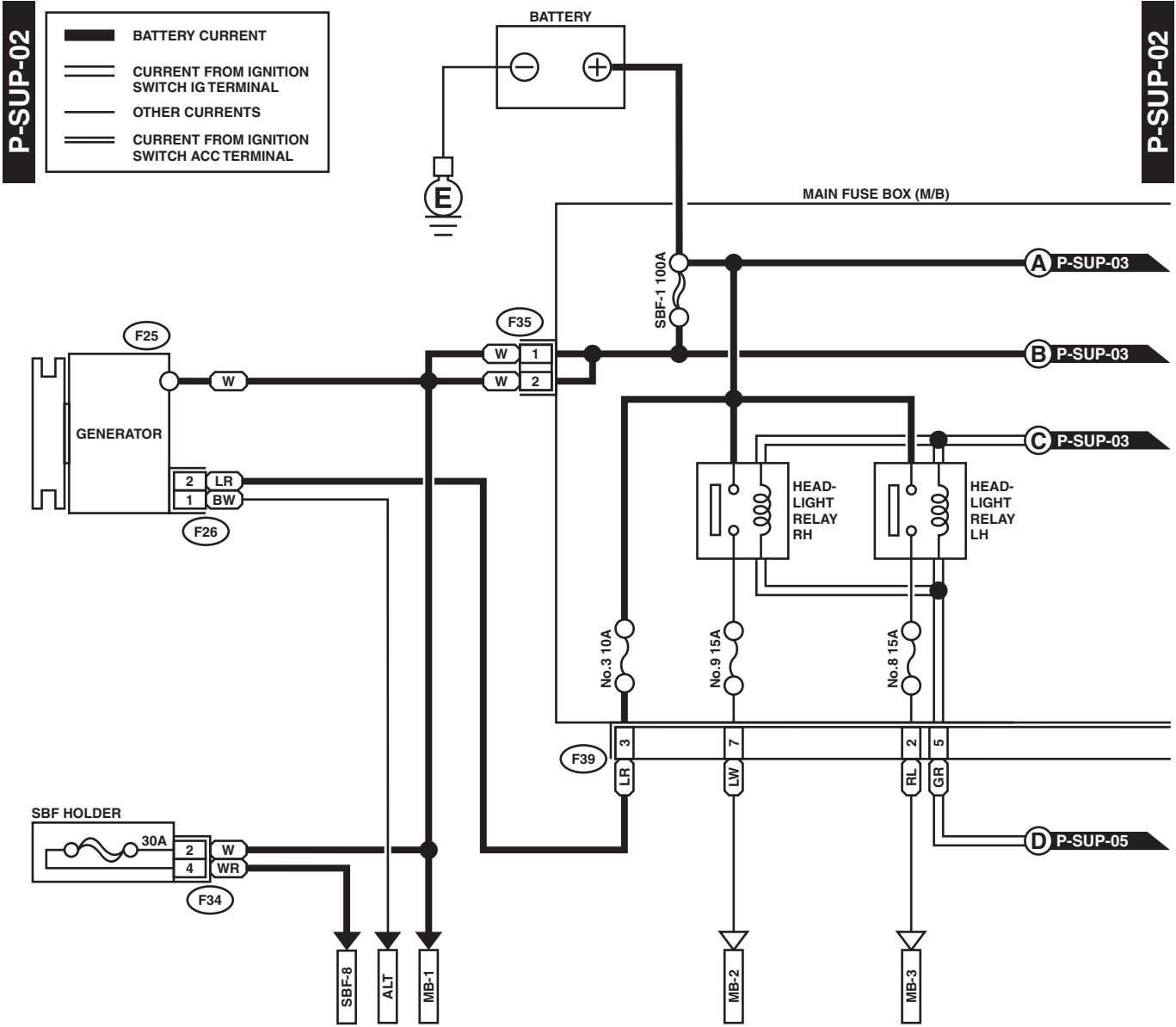
P-SUP-01



WI-03120

POWER SUPPLY ROUTING

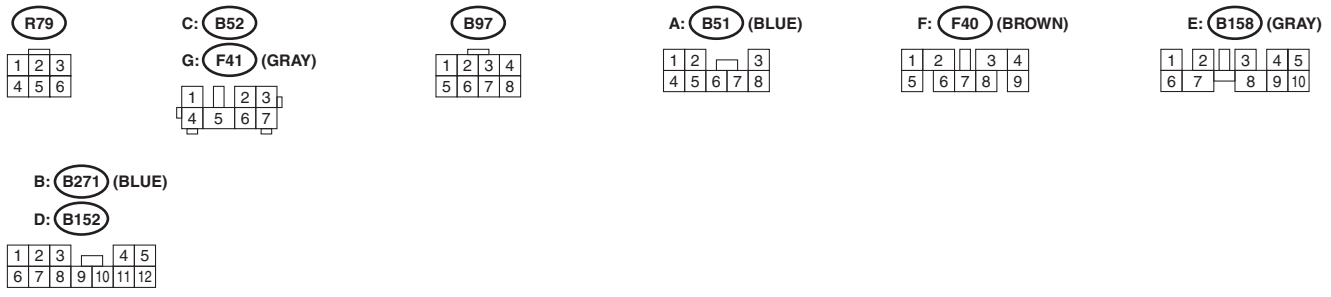
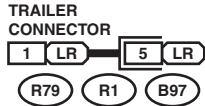
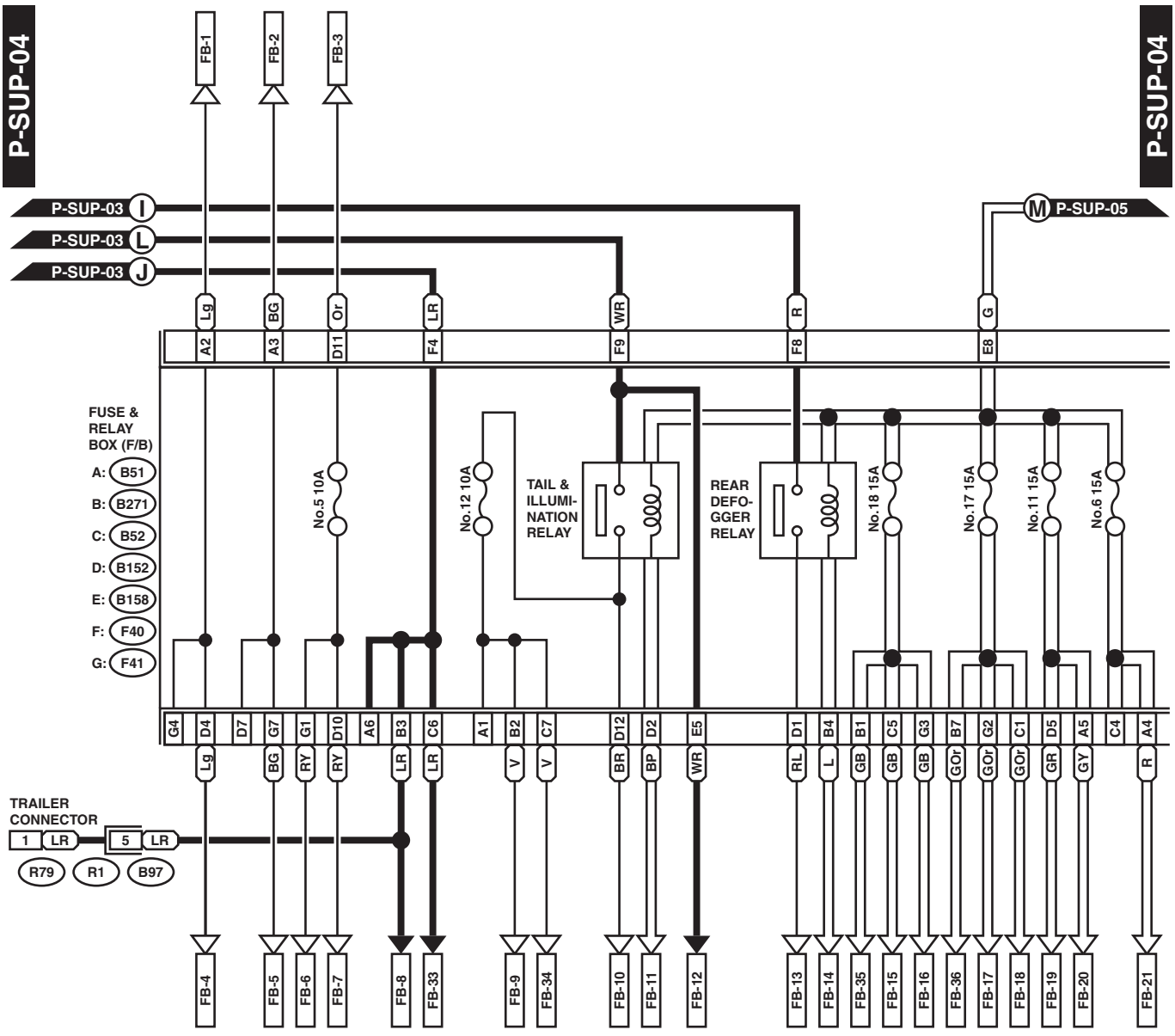
WIRING SYSTEM



WI-00122

POWER SUPPLY ROUTING

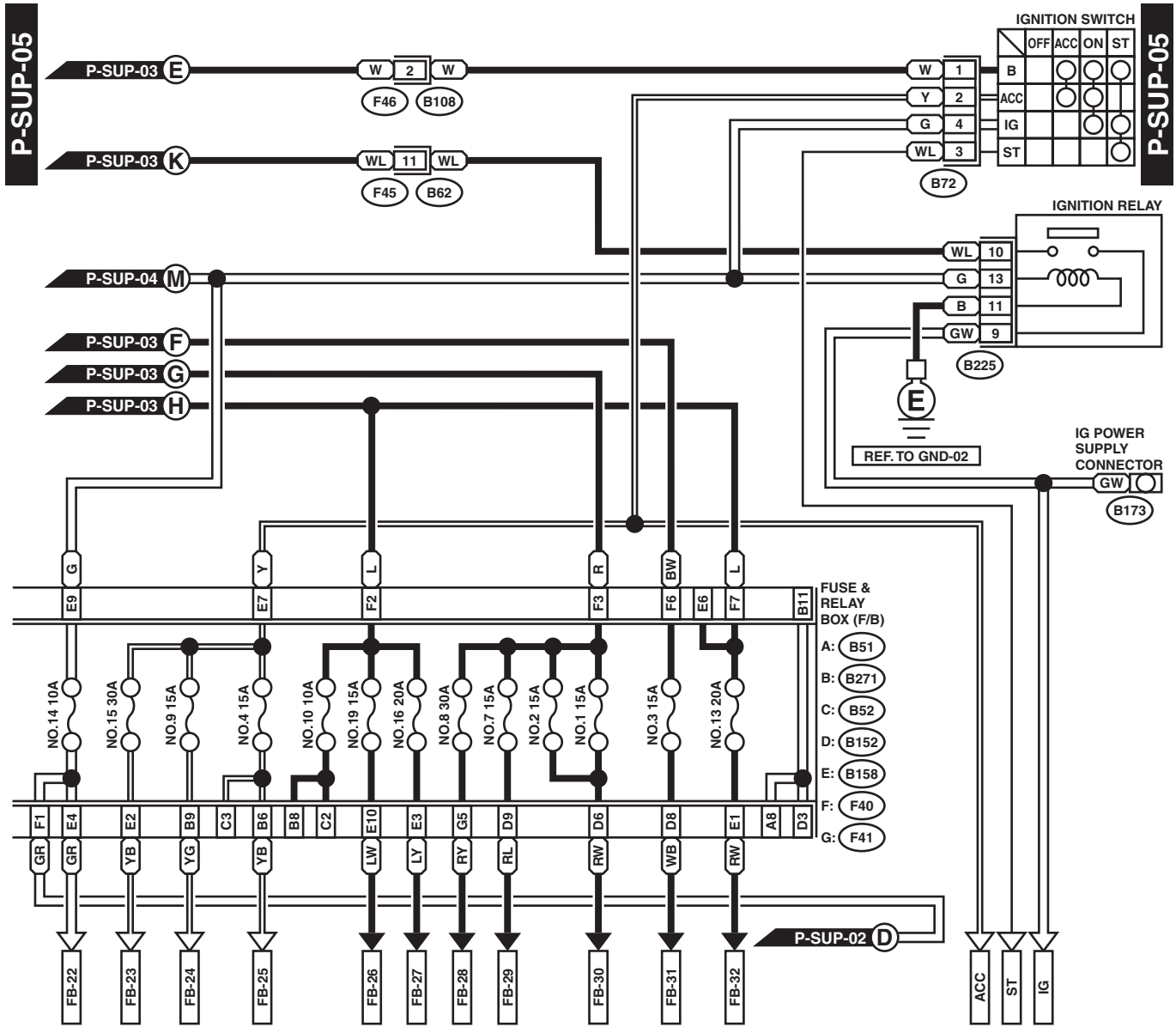
WIRING SYSTEM



WI-00124

POWER SUPPLY ROUTING

WIRING SYSTEM



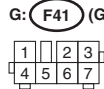
F46 (BLACK)



B72 (BLUE)



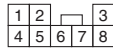
C: B52



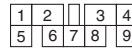
G: F41 (GRAY)



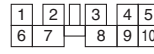
A: B51 (BLUE)



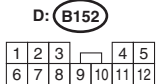
F: F40 (BROWN)



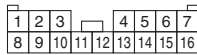
E: B158 (GRAY)



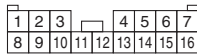
B: B271 (BLUE)



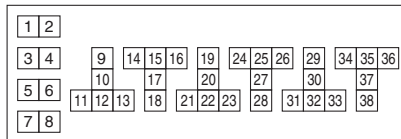
D: B152



F45



B225 (BLACK)



RELAY BLOCK

WI-02982

POWER SUPPLY ROUTING

WIRING SYSTEM

No.	Load
MB-1	Air conditioning relay holder (Fuse)
MB-2	Combination meter Headlight RH
MB-3	Headlight LH
MB-4	Horn
MB-5	Cruise control sub switch Horn switch Keyless entry control module Security horn relay
MB-6	Hazard switch Keyless entry control module Key warning switch
MB-7	Transmission control module
MB-8	Daytime running light control module Diode (Daytime running light)
MB-9	Data link connector Engine control module Fuel pump relay Main relay Electric control throttle relay
MB-10	Fuse (Seat heater)
MB-11	Power window circuit breaker
MB-12	Keyless buzzer
SBF-8	ABS control module
IG	Check connector Hazard switch Power window relay Vehicle Speed sensor (MT model)
ST	Cruise control module Interrupt relay
FB-1	Combination meter
FB-2	Hazard switch Keyless entry control module Rear turn signal light LH Trailer connector Turn signal switch
FB-3	Parking switch
FB-4	Brake fluid level warning switch
FB-5	Front turn signal light LH
FB-6	Front clearance light LH Side marker light LH
FB-7	License plate light Front clearance light RH Side marker light RH Tail light LH Tail light RH Trailer connector
FB-8	Clock Auto air conditioning control module Combination meter Radio Room light Spot light
FB-9	Combination meter Illumination light
FB-10	Parking switch

No.	Load
FB-11	Engine control module Lighting switch
FB-12	Parking switch
FB-13	Rear defogger Rear defogger switch
FB-14	Body integrated unit Engine control module
FB-15	Back-up light switch (MT model) Cruise control main switch Cruise control module Daytime running light control module Daytime running light relay High-beam relay (Daytime running light) Inhibitor switch (AT model) Body integrated unit Keyless entry control module Security control module Stop light & brake switch Clutch switch (MT model)
FB-16	Fan relay-1
FB-17	A/C relay Fan mode relay Fan relay-2 A/C pressure switch
FB-18	Wiper deicer switch Intake actuator
FB-19	Engine control module Fuel pump relay Ignition coil & ignitor Ignition coil No. 1 (Turbo model) Ignition coil No. 2 (Turbo model) Ignition coil No. 3 (Turbo model) Ignition coil No. 4 (Turbo model) Transmission control module
FB-20	Airbag control module
FB-21	Airbag control module
FB-22	Combination meter
FB-23	Combination switch (wiper) Front washer motor Front wiper motor unit
FB-24	Clock Compass mirror Radio
FB-25	Compass mirror Front accessory power supply socket Body integrated unit Rear 12V accessory relay Remote controlled rearview mirror switch Seat heater relay
FB-26	Rear 12V accessory relay
FB-27	Stop light switch
FB-28	ABS control module
FB-29	Front fog light relay
FB-30	Blower fan motor relay
FB-31	Body integrated unit Keyless entry control module
FB-32	Wiper deicer & mirror heater relay

POWER SUPPLY ROUTING

WIRING SYSTEM

No.	Load
FB-33	Body integrated unit Illumination light Security horn relay Security control module
FB-34	Body integrated unit Illumination light
FB-35	ABS control module Wiper deicer & mirror heater relay
FB-36	Blower fan motor relay A/C switch Auto A/C control module