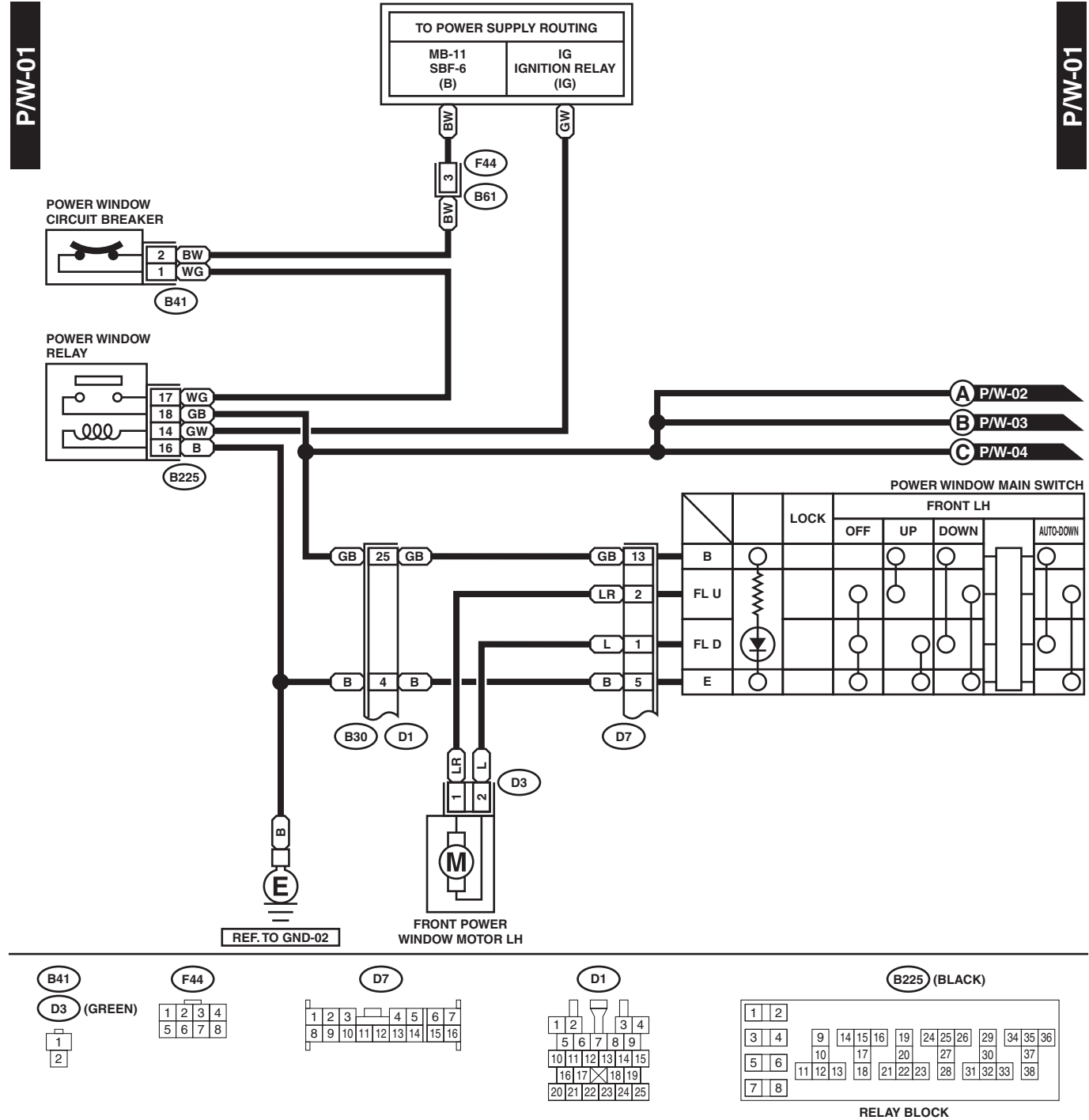


# POWER WINDOW SYSTEM

WIRING SYSTEM

## 33. Power Window System

### A: WIRING DIAGRAM



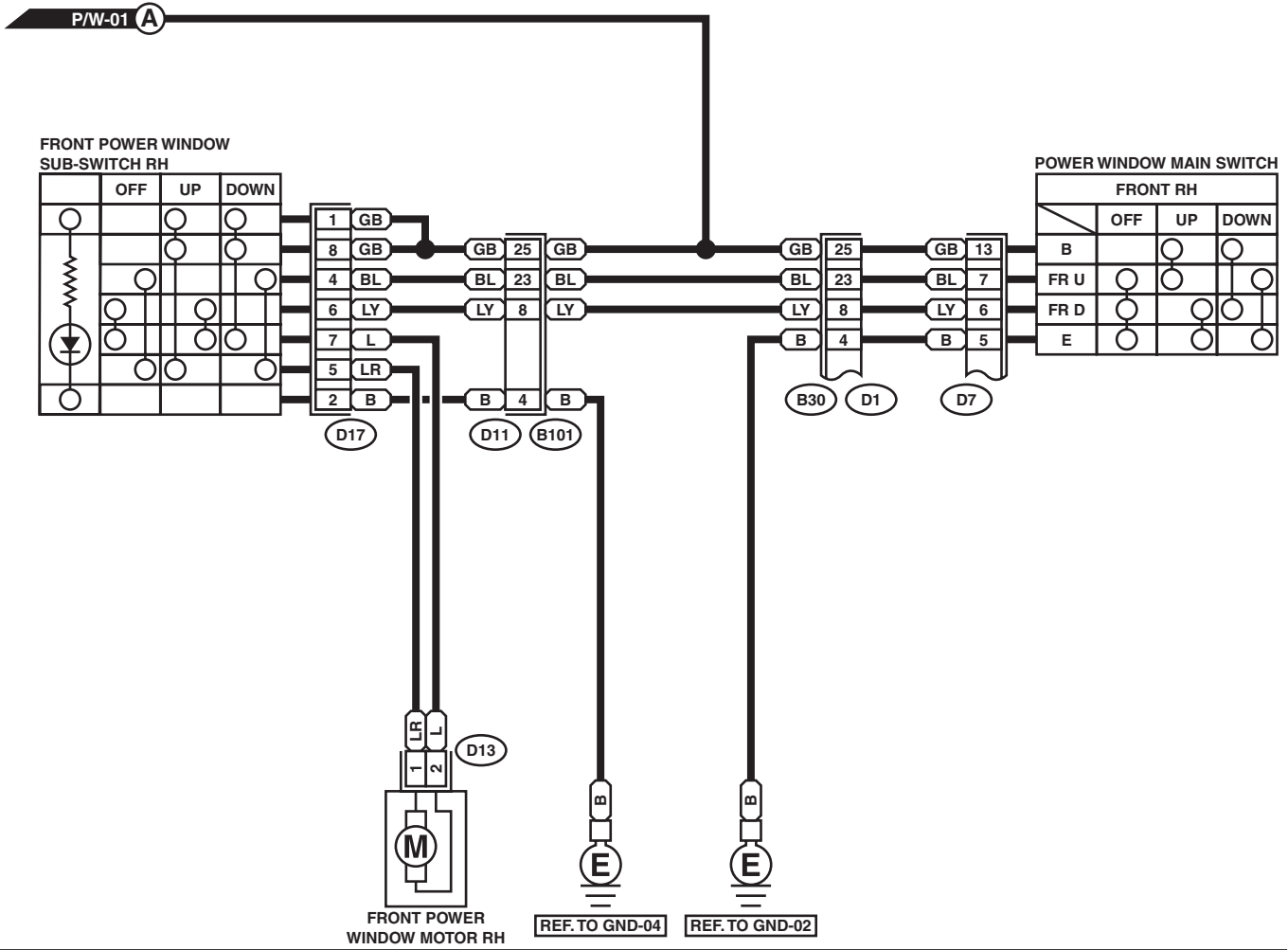
WI-03080

# POWER WINDOW SYSTEM

WIRING SYSTEM

P/W-02

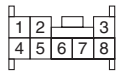
P/W-02



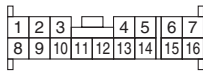
D13 (GREEN)



D17

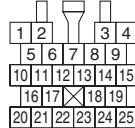


D7



D1

D11



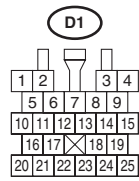
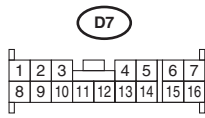
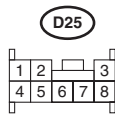
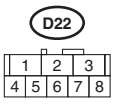
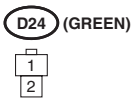
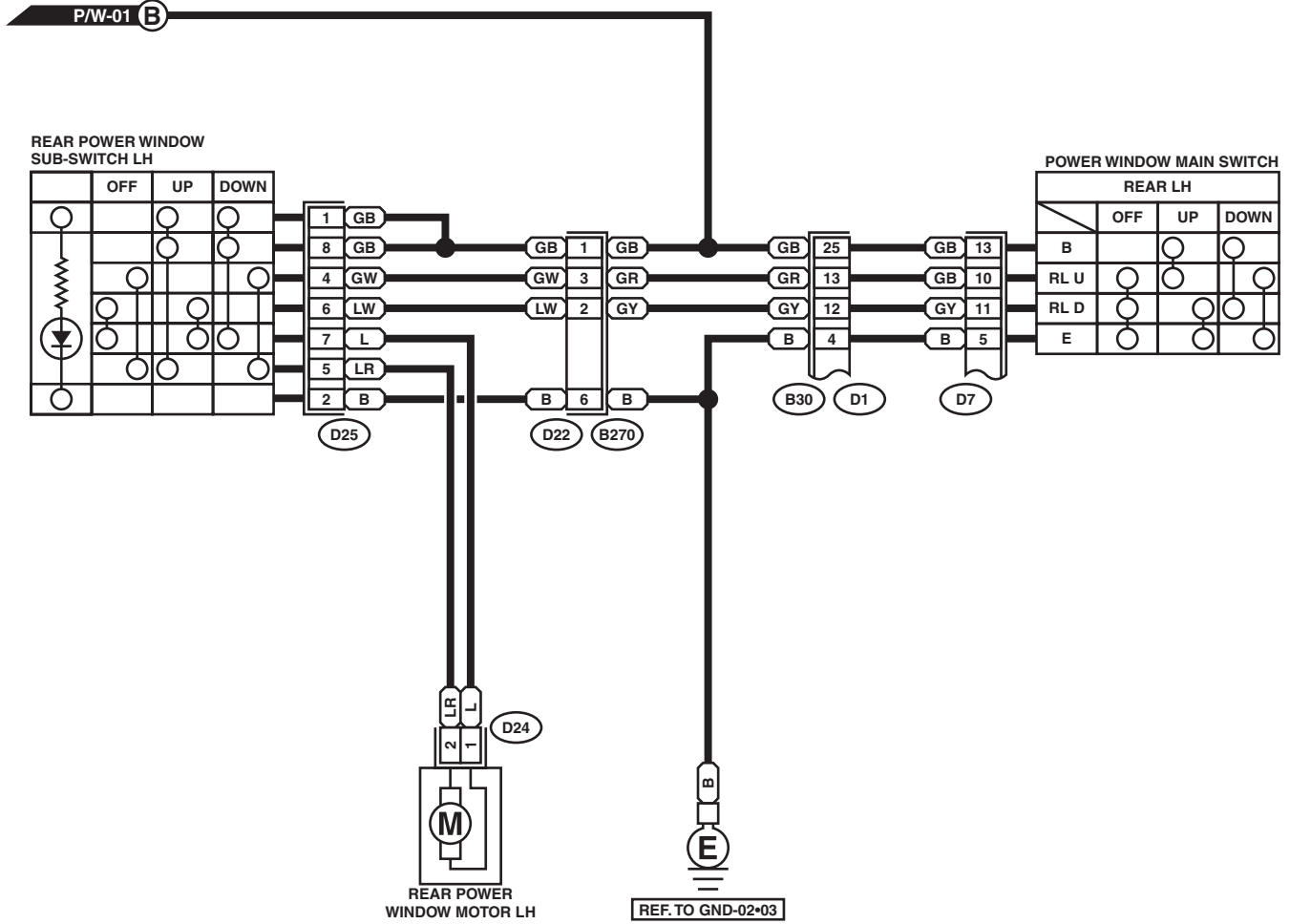
WI-00199

# POWER WINDOW SYSTEM

WIRING SYSTEM

P/W-03

P/W-03



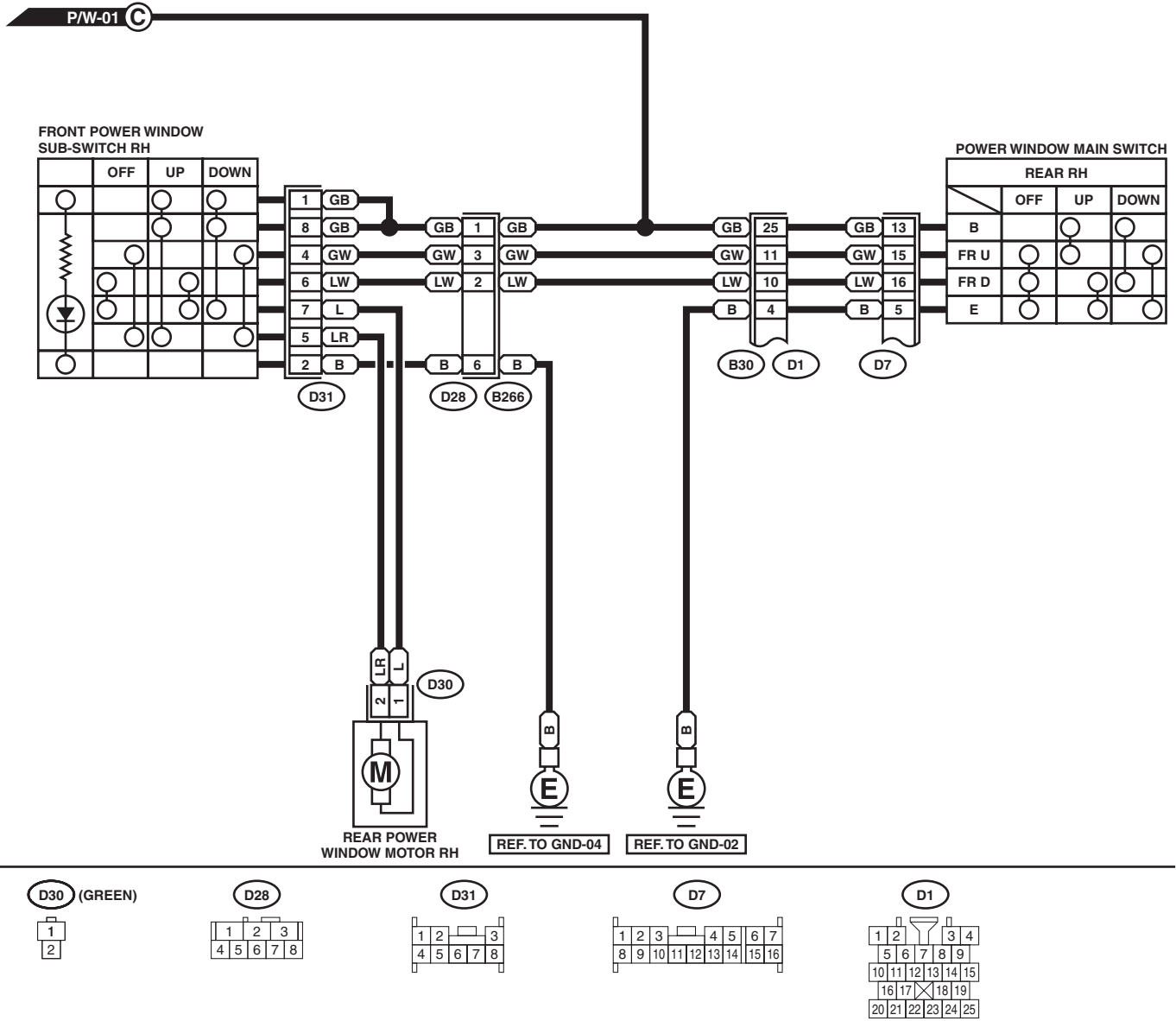
WI-03081

# POWER WINDOW SYSTEM

WIRING SYSTEM

P/W-04

P/W-04



WI-03123