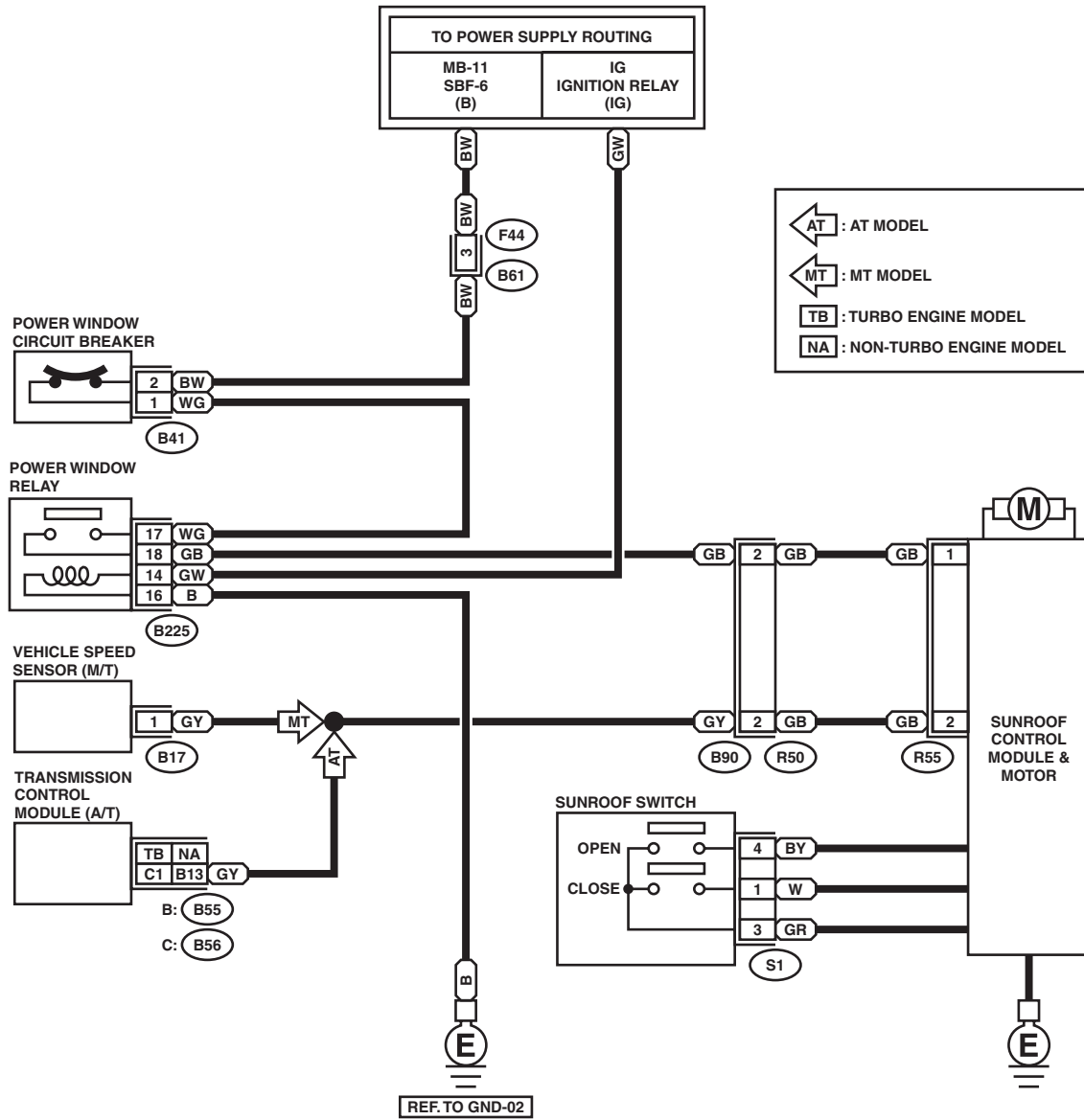


42.Sunroof System

A: WIRING DIAGRAM

S/R-01

S/R-01



REF. TO GND-02

