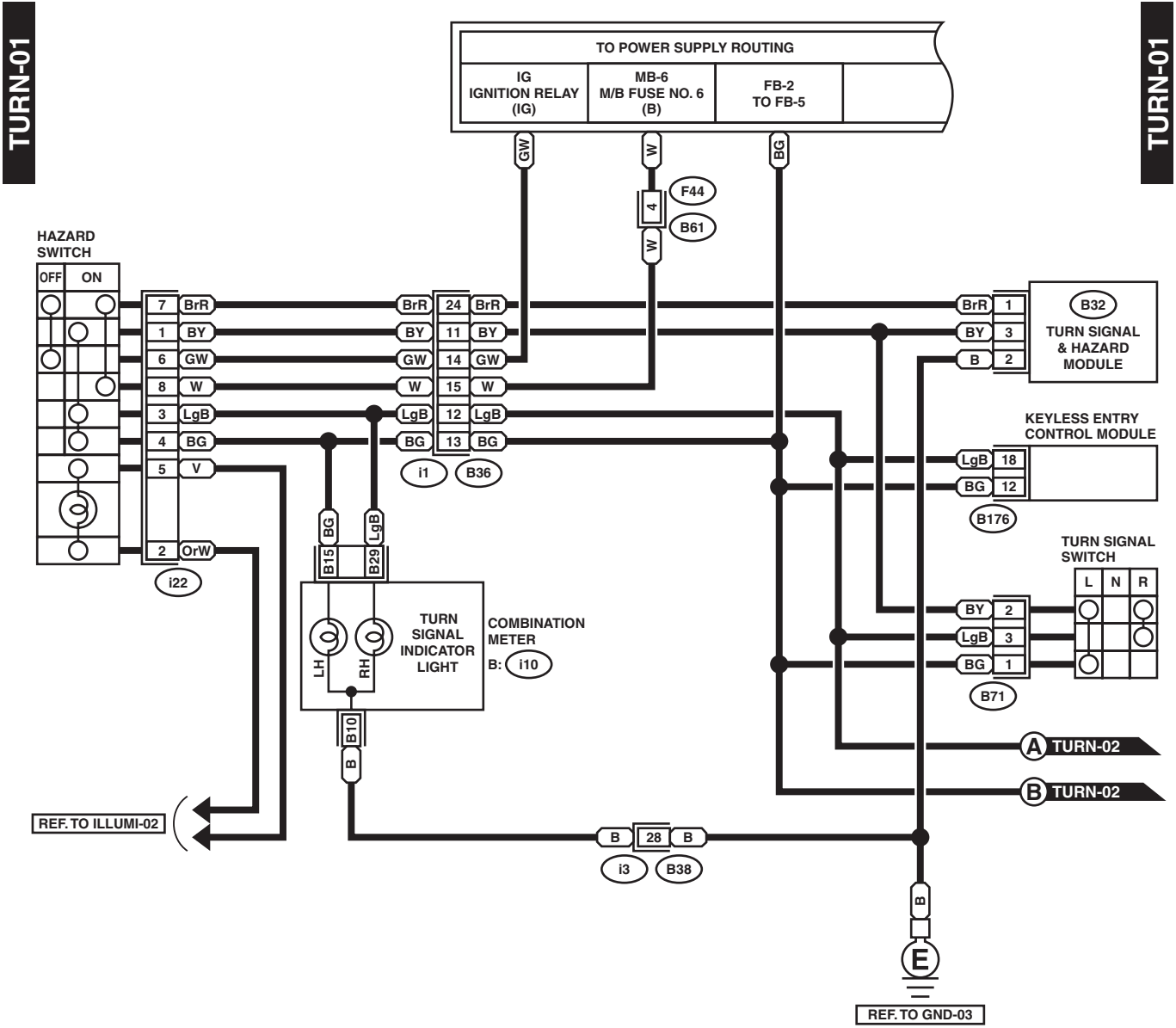


TURN SIGNAL LIGHT AND HAZARD LIGHT SYSTEM

WIRING SYSTEM

29. Turn Signal Light and Hazard Light System

A: WIRING DIAGRAM



B32 (BLACK)



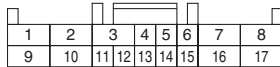
F44



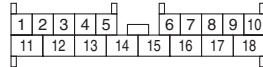
i22



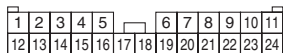
B71



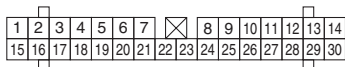
B176



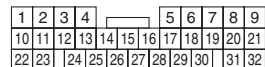
B36



B: i10 (GREEN)



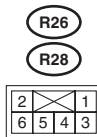
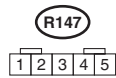
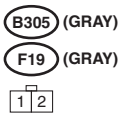
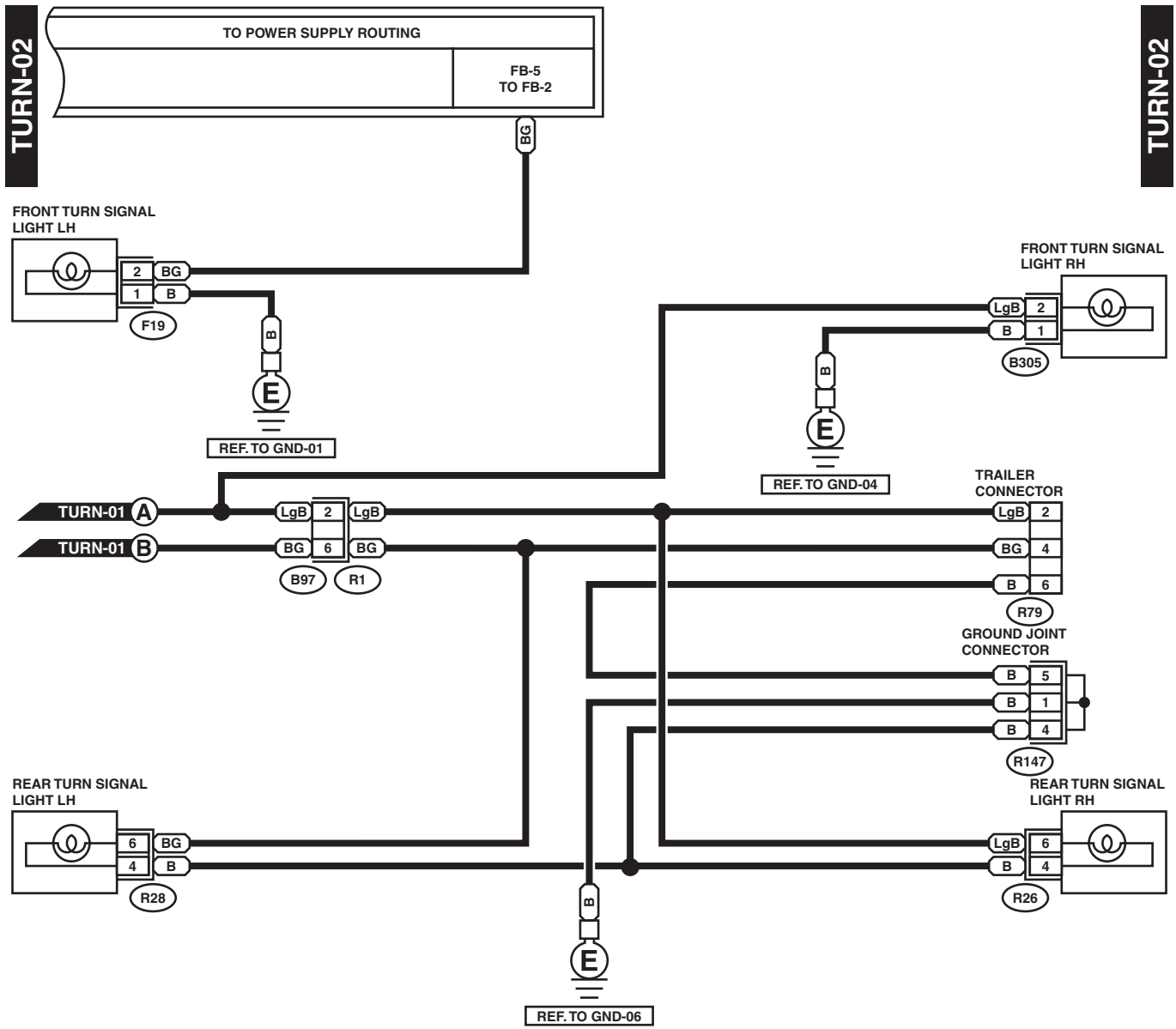
B38



WI-03075

TURN SIGNAL LIGHT AND HAZARD LIGHT SYSTEM

WIRING SYSTEM



WI-03076