

ENTERTAINMENT

ET

	Page
1. General Description	2
2. Radio System	3
3. Cigarette Lighter System.....	4
4. Radio Body.....	5
5. Front Speaker	6
6. Rear Speaker	7
7. Antenna.....	8
8. Antenna Amplifier	9
9. Cigarette Lighter.....	10

GENERAL DESCRIPTION

ENTERTAINMENT

1. General Description

A: CAUTION

- Before disassembling or reassembling parts, always disconnect the battery ground cable. When replacing radio, control module, and other parts provided with memory functions, record memory contents before disconnecting the battery ground cable. Otherwise, the memory will be erased.
- Reassemble in reverse order of disassembly, unless otherwise indicated.
- Adjust parts to the given specifications.
- Connect the connectors and hoses securely during reassembly.
- After reassembly, make sure functional parts operate smoothly.

B: PREPARATION TOOL

1. GENERAL TOOLS

TOOL NAME	REMARKS
Circuit Tester	Used for measuring resistance and voltage.
Conductive Silver Composition (DUPONT NO. 4817 or equivalent)	Used for repairing antenna wire.

2. Radio System

A: SCHEMATIC

1. RADIO

<Ref. to WI-93, SCHEMATIC, Audio System.>

B: INSPECTION

Symptom	Repair order
No power coming in. (No display and no sound from speakers.)	(1) Check the fuse and power supply for radio. (2) Check the radio ground. (3) Remove the radio for repair.
A specific speaker does not operate.	(1) Check the speaker. (2) Check the output circuit between radio and speaker.
Radio generates noise with engine running.	(1) Check the radio ground. (2) Check the generator. (3) Check the ignition coil. (4) Remove the radio for repair.
AM and FM modes are weak or noisy.	(1) Check the antenna. (2) Check the antenna amplifier. (3) Check the noise suppressor. (4) Check the radio ground. (5) Remove the radio for repair.

3. Cigarette Lighter System

A: SCHEMATIC

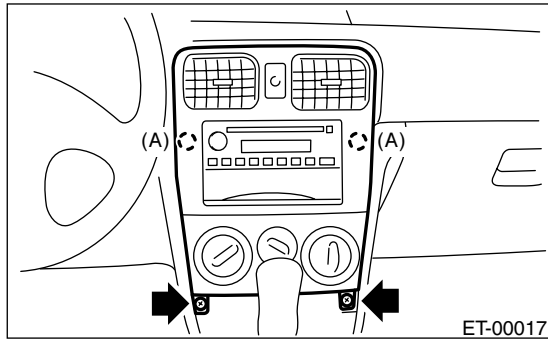
1. CIGARETTE LIGHTER

<Ref. to WI-160, SCHEMATIC, Front Accessory
Power Supply System.>

4. Radio Body

A: REMOVAL

- 1) Disconnect the ground cable from battery.
- 2) Remove the front cover. <Ref. to EI-39, REMOVAL, Console Box.>
- 3) Loosen the screws and clips (A), and then remove the center panel.



- 4) Disconnect the connector.
- 5) Remove the fitting screws, and slightly pull out the radio from center console.
- 6) Disconnect the harness connectors and antenna feeder cord.

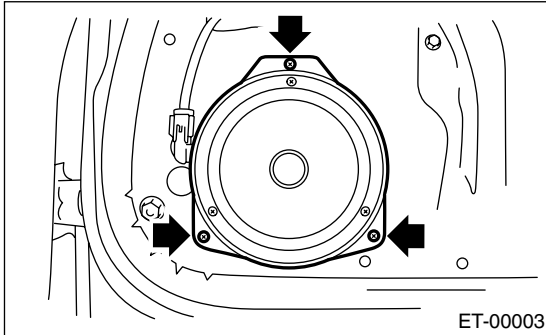
B: INSTALLATION

Install in the reverse order of removal.

5. Front Speaker

A: REMOVAL

- 1) Disconnect the ground cable from battery.
- 2) Remove the front door trim. <Ref. to EI-35, REMOVAL, Front Door Trim.>
- 3) Remove the front speaker mounting screws.



- 4) Disconnect the harness connector and remove front speaker.

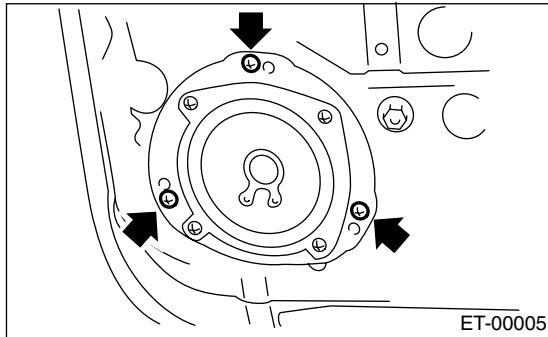
B: INSTALLATION

Install in the reverse order of removal.

6. Rear Speaker

A: REMOVAL

- 1) Disconnect the ground cable from battery.
- 2) Remove the rear door trim. <Ref. to EI-36, REMOVAL, Rear Door Trim.>
- 3) Remove the rear speaker mounting screws.



- 4) Disconnect the harness connector and remove rear speaker.

B: INSTALLATION

Install in the reverse order of removal.

7. Antenna

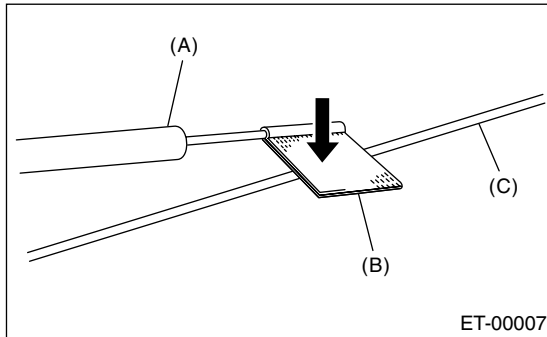
A: INSPECTION

Measure the resistance between antenna terminal and each antenna wire.

If an antenna wire is OK, resistance will be less than $1\ \Omega$. If an antenna wire is broken, the resistance will be more than $1\ M\Omega$.

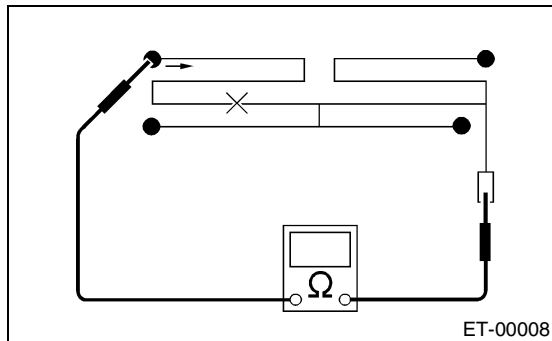
NOTE:

When checking the continuity, wind a piece of tin foil around the tip of tester probe and press foil against wire with your finger.



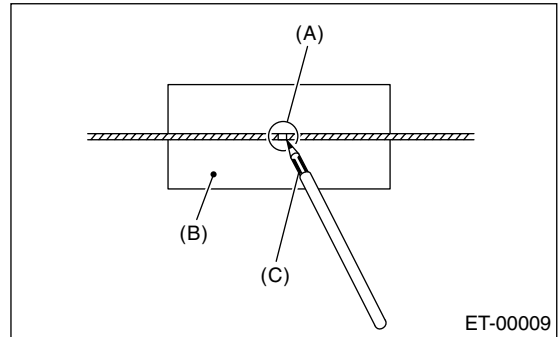
- (A) Tester probe
- (B) Tin foil
- (C) Antenna wire

To locate the broken point, move the probe along antenna wire.



B: REPAIR

- 1) Clean the antenna wire and surrounding area with a cloth dampened by alcohol.
- 2) Paste a thin masking film on the glass along broken wire.
- 3) Deposit conductive silver composition (DU-PONT No. 4817) on the broken portion with a drawing pen.



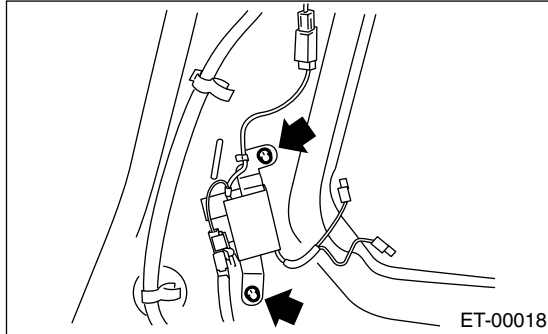
- (A) Broken portion
- (B) Masking thin film
- (C) Conductive silver composition

- 4) Dry out the deposited portion.
- 5) After repair has been completed, measure the resistance in repaired wire.

8. Antenna Amplifier

A: REMOVAL

- 1) Disconnect the ground cable from battery.
- 2) Remove the rear quarter upper trim. <Ref. to EI-45, REMOVAL, Rear Quarter Trim.>
- 3) Disconnect the harness connector and terminal.
- 4) Remove the mounting screws and detach antenna amplifier.

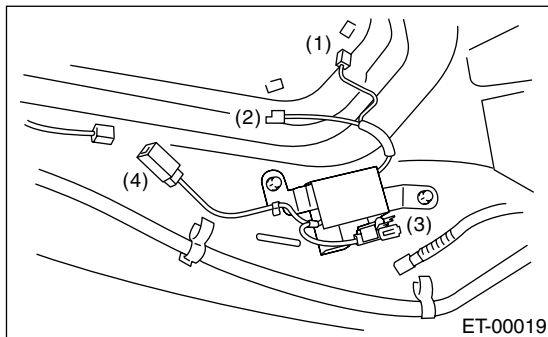


B: INSTALLATION

Install in the reverse order of removal.

C: INSPECTION

Measure the antenna amplifier resistance.

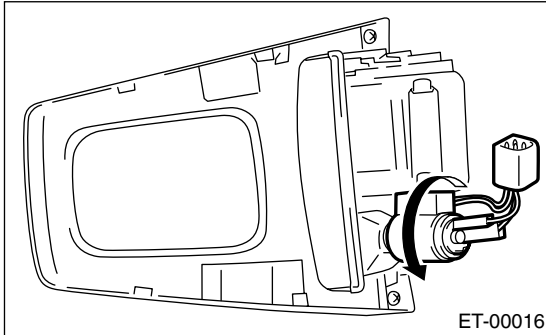


Terminal No.	Standard
1 and Amplifier body	More than 100 kΩ
2 and Amplifier body	More than 100 kΩ
3 and Amplifier body	More than 100 kΩ
4 and Amplifier body	More than 100 kΩ

9. Cigarette Lighter

A: REMOVAL

- 1) Disconnect the ground cable from battery.
- 2) Remove the front cover. <Ref. to EI-39, REMOVAL, Console Box.>
- 3) Disconnect the harness connectors and remove cigarette lighter.



B: INSTALLATION

Install in the reverse order of removal.