

IGNITION

IG(SOHC)

	Page
1. General Description	2
2. Spark Plug.....	5
3. Ignition Coil and Ignitor Assembly	8
4. Spark Plug Cord.....	10

GENERAL DESCRIPTION

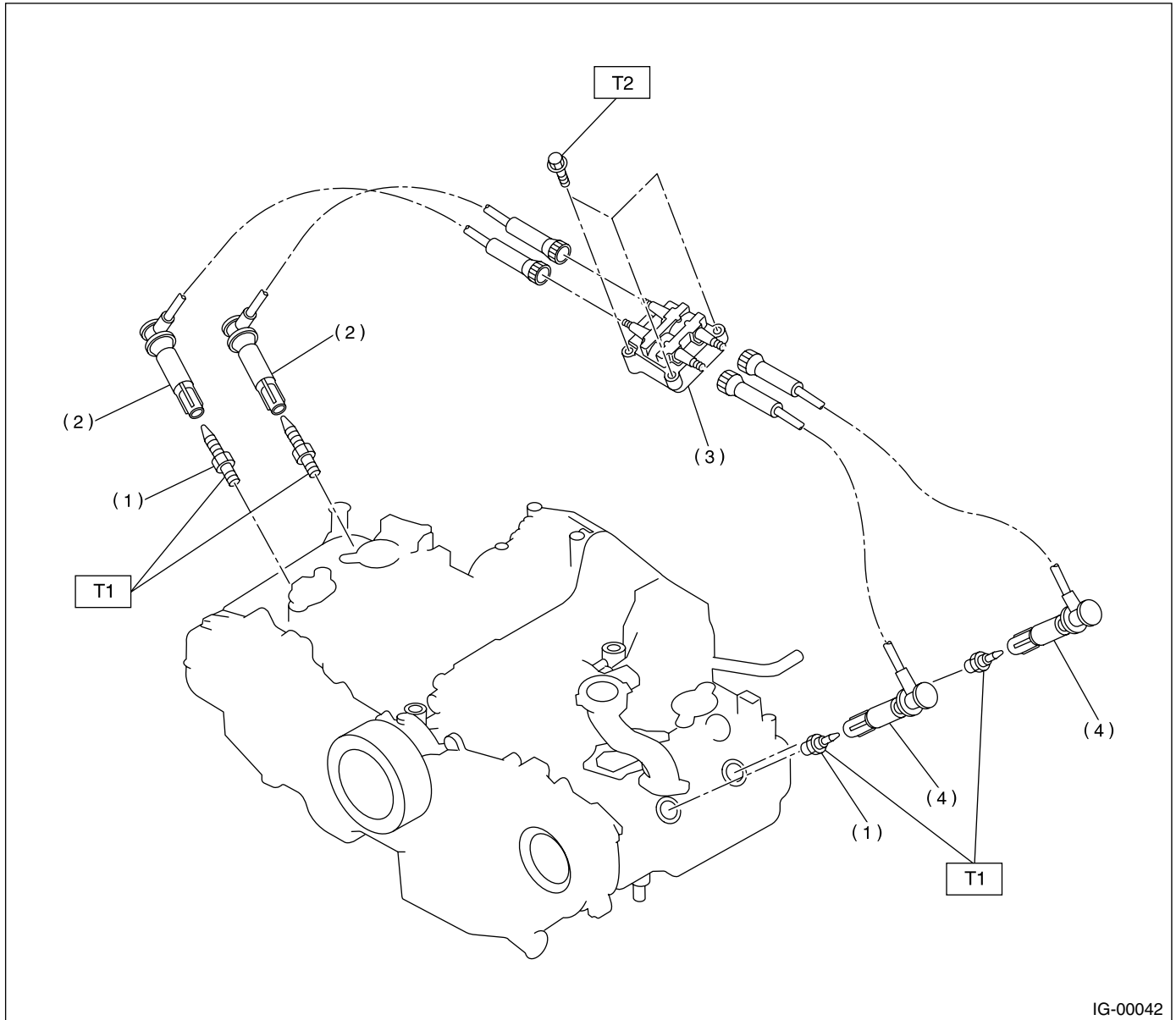
IGNITION

1. General Description

A: SPECIFICATIONS

Item		Designation
Ignition coil/ignitor assembly	Model	FH0137
	Manufacturer	DIAMOND
	Primary coil resistance	0.73 Ω ±10%
	Secondary coil resistance	12.8 k Ω ±15%
	Insulation resistance between primary terminal and case	More than 100 M Ω
Spark plug	Type and manufacturer	CHAMPION: RC10YC4 NGK: BKR5E-11 (Alternate)
	Thread size	mm 14, P = 1.25
	Spark gap	mm (in) 1.0 — 1.1 (0.039 — 0.043)

B: COMPONENT



- (1) Spark plug
- (2) Spark plug cord (#1, #3)
- (3) Ignition coil and ignitor ASSY

- (4) Spark plug cord (#2, #4)

Tightening torque: N·m (kgf-m, ft-lb)

T1: 21 (2.1, 15.2)

T2: 6.4 (0.65, 4.7)

GENERAL DESCRIPTION

IGNITION

C: CAUTION

- Wear working clothing, including a cap, protective goggles, and protective shoes during operation.
- Remove contamination including dirt and corrosion before removal, installation or disassembly.
- Keep the disassembled parts in order and protect them from dust or dirt.
- Before removal, installation or disassembly, be sure to clarify the failure. Avoid unnecessary removal, installation, disassembly, and replacement.
- Be careful not to burn your hands, because each part on the vehicle is hot after running.
- Be sure to tighten fasteners including bolts and nuts to the specified torque.
- Place shop jacks or safety stands at the specified points.
- Before disconnecting electrical connectors of sensors or units, be sure to disconnect the ground cable from battery.

2. Spark Plug

A: REMOVAL

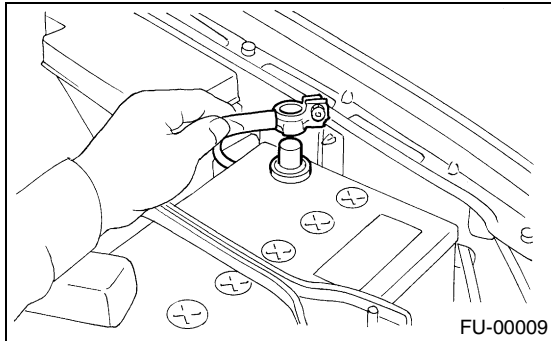
CAUTION:

All spark plugs installed on an engine, must be of the same heat range.

Spark plug
CHAMPION: RC10YC4
NGK: BKR5E-11 (Alternate)

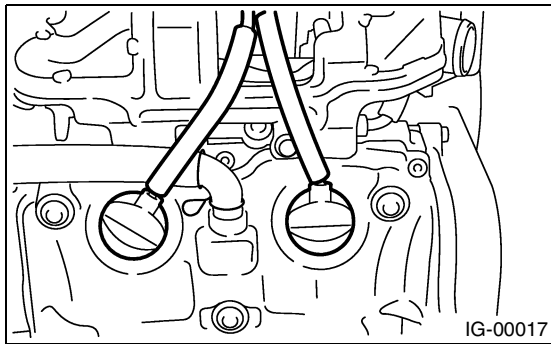
1. RH SIDE

- 1) Disconnect the ground cable from battery.

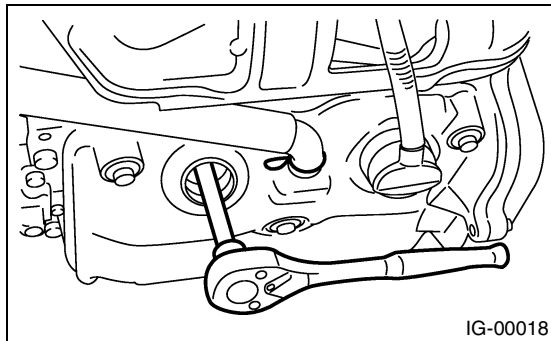


- 2) Remove the air cleaner case. <Ref. to IN(SOHC)-6, REMOVAL, Air Cleaner Case.>

- 3) Remove the spark plug cords by pulling boot, not the cord itself.

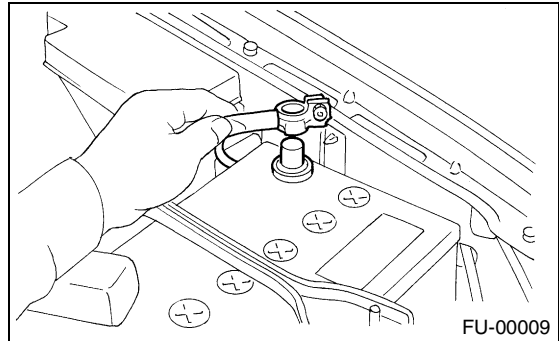


- 4) Remove the spark plugs with spark plug sockets.

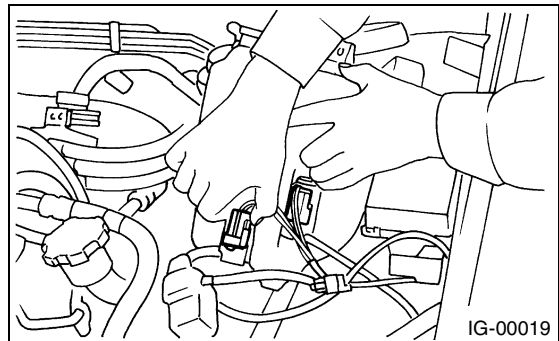


2. LH SIDE

- 1) Disconnect the ground cable from battery.

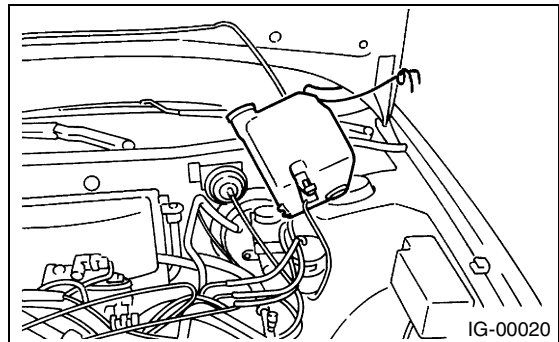


- 2) Disconnect the washer motor connector.

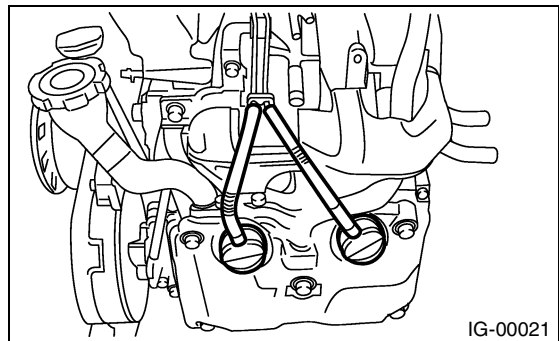


- 3) Disconnect the rear window glass washer hose from washer motor, then plug connection with a suitable cap.

- 4) Remove the two bolts which hold washer tank, then take the tank away from the working area.



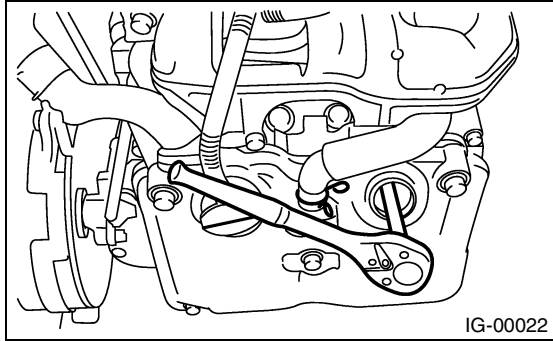
- 5) Remove the spark plugs cord by pulling boot, not the cord itself.



SPARK PLUG

IGNITION

6) Remove the spark plugs with spark plug sockets.



B: INSTALLATION

1. RH SIDE

1) Install in the reverse order of removal.

Tightening torque (Spark plug):
21 N·m (2.1 kgf·m, 15.2 ft·lb)

CAUTION:

The above torque should be only applied to new spark plugs without oil on their threads. In case their threads are lubricated, the torque should be reduced by approx. 1/3 of the specified torque in order to avoid over-stressing.

2. LH SIDE

1) Install in the reverse order of removal.

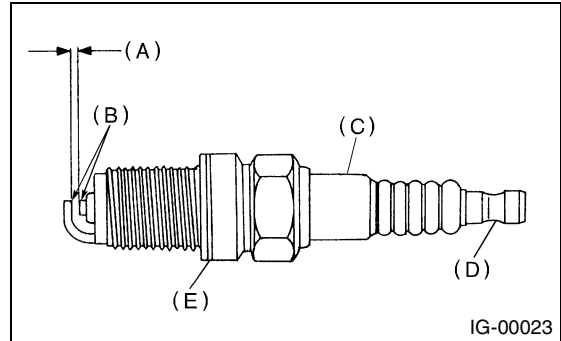
Tightening torque (Spark plug):
21 N·m (2.1 kgf·m, 15.2 ft·lb)

CAUTION:

The above torque should be only applied to new spark plugs without oil on their threads. In case their threads are lubricated, the torque should be reduced by approx. 1/3 of the specified torque in order to avoid over-stressing.

C: INSPECTION

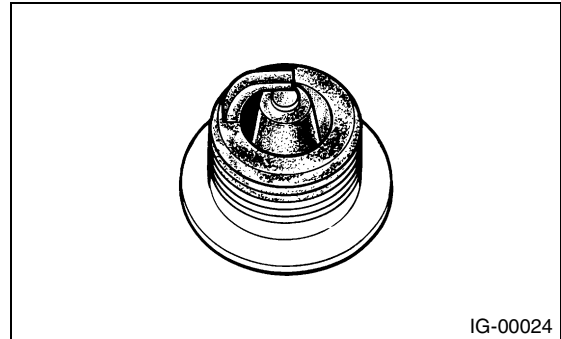
Check the electrodes and inner and outer porcelain of plugs, noting the type of deposits and the degree of electrode erosion.



- (A) Electrode gap
- (B) Carbon accumulation or wear
- (C) Cracks
- (D) Damage
- (E) Damaged gasket

1) Normal:

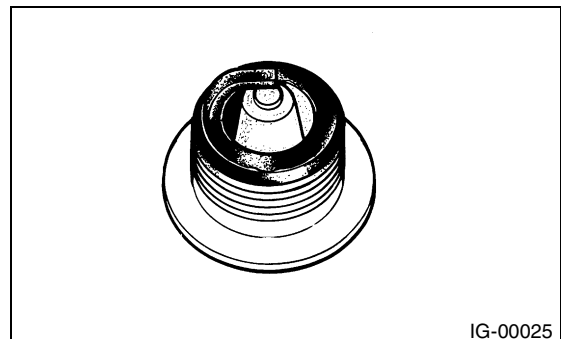
Brown to grayish-tan deposits and slight electrode wear indicates correct spark plug heat range.



2) Carbon fouled:

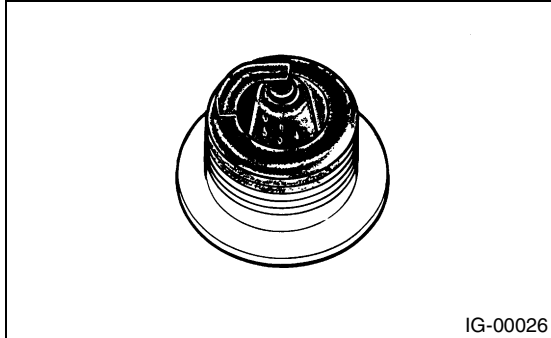
Dry fluffy carbon deposits on insulator and electrode are mostly caused by slow speed driving in city, weak ignition, too rich fuel mixture, dirty air cleaner, etc.

It is advisable to replace with plugs having hotter heat range.



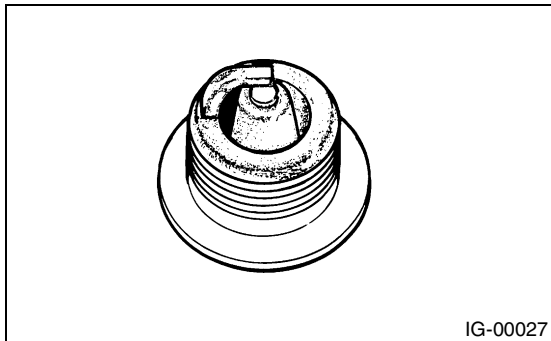
3) Oil fouled:

Wet black deposits show excessive oil entrance into combustion chamber through worn rings and pistons or excessive clearance between valve guides and stems. If the same condition remains after repair, use a hotter plug.



4) Overheating:

White or light gray insulator with black or gray brown spots and bluish burnt electrodes indicates engine overheating. Moreover, the appearance results from incorrect ignition timing, loose spark plugs, wrong selection of fuel, hotter range plug, etc. It is advisable to replace with plugs having colder heat range.

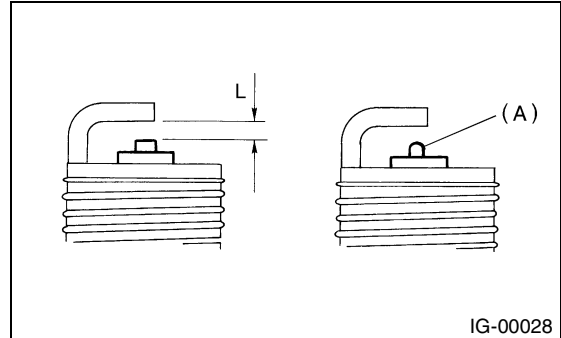


E: ADJUSTMENT

Correct it if the spark plug gap is measured with a gap gauge, and it is necessary.

Spark plug gap: L

1.0 — 1.1 mm (0.039 — 0.043 in)



NOTE:

Replace with a new spark plug if this area (A) is worn to "ball" shape.

D: CLEANING

Clean the spark plugs in a sand blast type cleaner. Avoid excessive blasting. Clean and remove the carbon or oxide deposits, but do not wear away porcelain.

If deposits are too stubborn, replace the spark plugs.

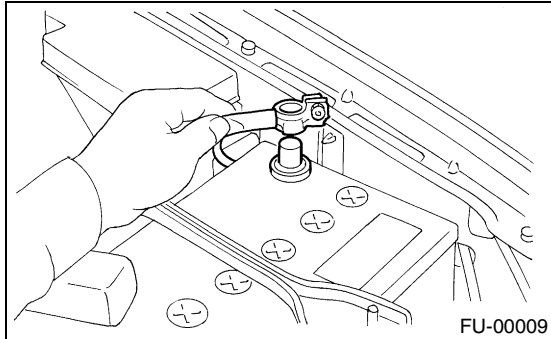
IGNITION COIL AND IGNITOR ASSEMBLY

IGNITION

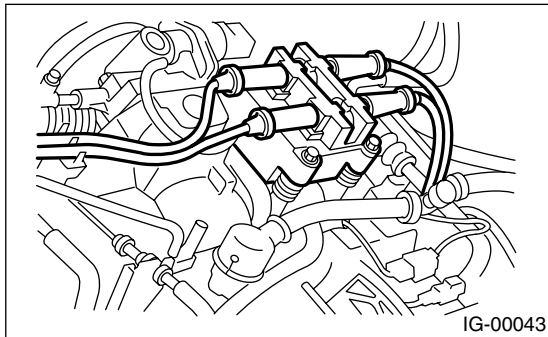
3. Ignition Coil and Ignitor Assembly

A: REMOVAL

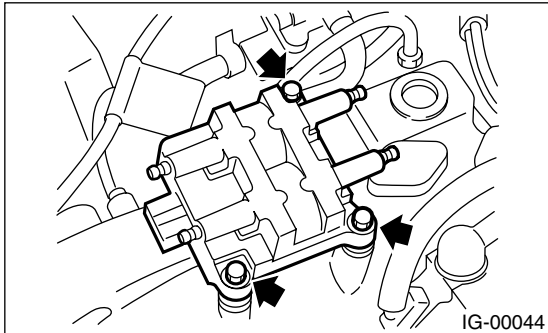
- 1) Disconnect the ground cable from battery.



- 2) Disconnect the spark plug cords from ignition coil and ignitor assembly.



- 3) Disconnect the connector from ignition coil and ignitor assembly.
- 4) Remove the ignition coil and ignitor assembly.

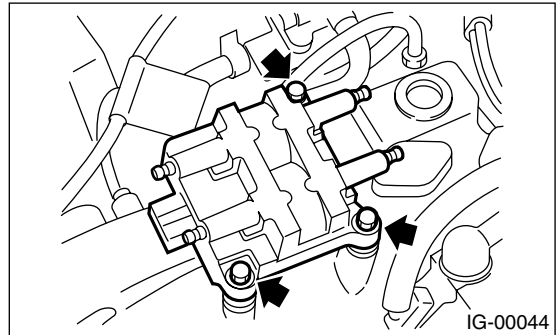


B: INSTALLATION

- 1) Install in the reverse order of removal.

Tightening torque:

6.4 N·m (0.65 kgf·m, 4.7 ft·lb)



C: INSPECTION

Using the accurate tester, inspect the following items, and replace if defective.

- 1) Primary resistance
- 2) Secondary coil resistance

CAUTION:

If the resistance is extremely low, this indicates the presence of a short-circuit.

Specified resistance:

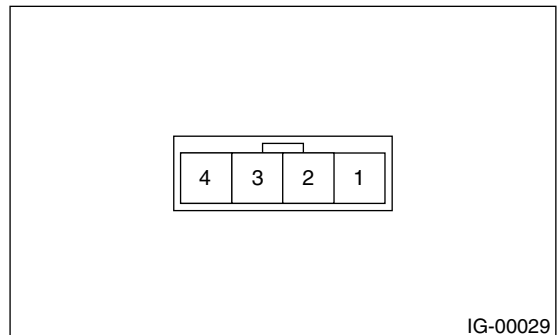
[Primary side]

Between terminal No. 1 and No. 4

$0.73 \Omega \pm 10\%$

Between terminal No. 1 and No. 2

$0.73 \Omega \pm 10\%$



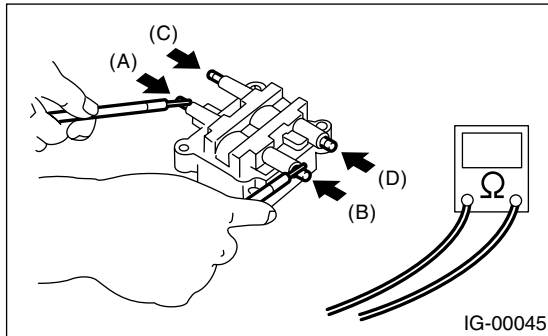
[Secondary side]

Between (A) and (B)

12.8 k Ω ±15%

Between (C) and (D)

12.8 k Ω ±15%



3) Insulation between primary terminal and case:
100 M Ω or more.

4. Spark Plug Cord

A: INSPECTION

Check for:

- 1) Damage to cords, deformation, burning or rust formation of terminals
- 2) Resistance values of cords

Resistance value:

#1 cord: 5.6 — 10.6 k Ω

#2 cord: 7.3 — 13.7 k Ω

#3 cord: 5.9 — 11.1 k Ω

#4 cord: 7.3 — 13.7 k Ω

