

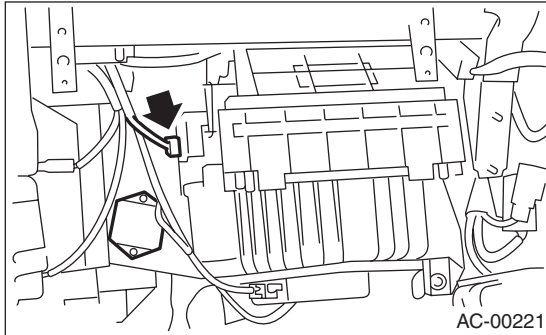
Blower Resistor (Manual A/C Model)

HVAC SYSTEM (HEATER, VENTILATOR AND A/C)

8. Blower Resistor (Manual A/C Model)

A: REMOVAL

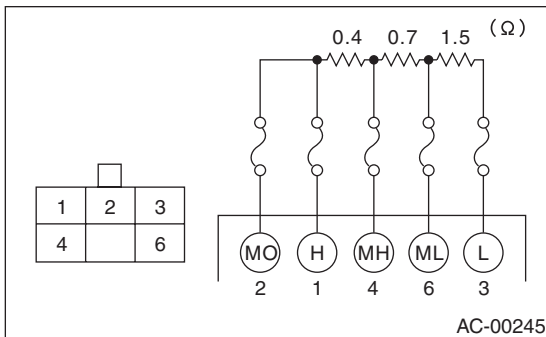
- 1) Remove the glove box. <Ref. to EI-36, REMOVAL, Glove Box.>
- 2) Disconnect the blower resistor connector.
- 3) Loosen the two screws and remove the blower resistor.



B: INSTALLATION

Install in the reverse order of removal.

C: INSPECTION



Measure the blower resistor resistance.

Terminal No.	Standard
2 — 1	Approximately 0 Ω
2 — 4	Approximately 0.4 Ω
2 — 6	Approximately 1.1 Ω
2 — 3	Approximately 2.6 Ω

If NG, replace the blower resistor.