

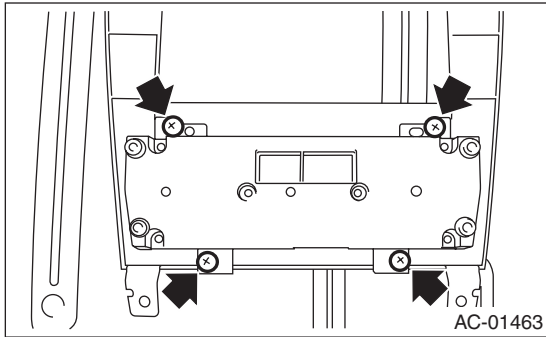
Control Unit

HVAC SYSTEM (HEATER, VENTILATOR AND A/C)

10. Control Unit

A: REMOVAL

- 1) Disconnect the ground cable from the battery.
- 2) For manual A/C, remove the mode cable and air mix cable from the each link of the heater unit.
- 3) Remove the console front cover. <Ref. to EI-39, REMOVAL, Instrument Panel Assembly.>
- 4) Loosen the four screws on the backside of the center console panel and remove the control unit.



B: INSTALLATION

Install in the reverse order of removal.