

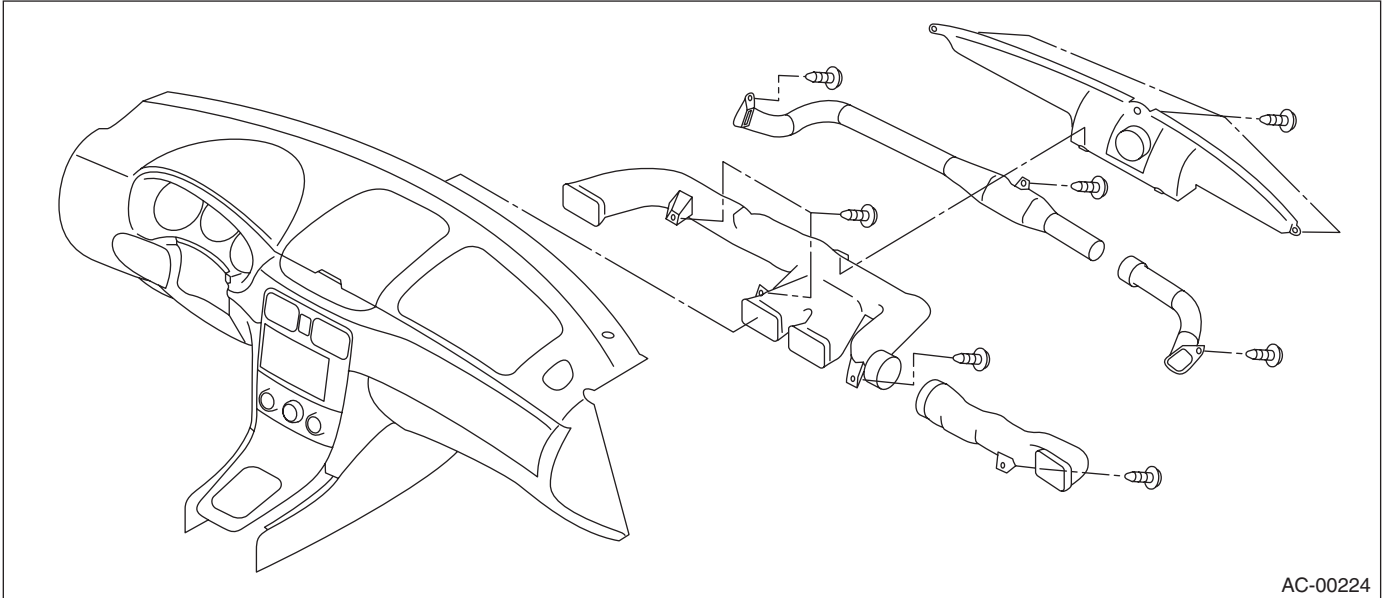
# Heater Vent Duct

HVAC SYSTEM (HEATER, VENTILATOR AND A/C)

## 24.Heater Vent Duct

### A: REMOVAL

- 1) Disconnect the ground cable from the battery.
- 2) Remove the instrument panel. <Ref. to EI-39, REMOVAL, Instrument Panel Assembly.>
- 3) Remove the screws.
- 4) Remove the heater vent duct.



### B: INSTALLATION

Install in the reverse order of removal.