

Airbag Connector

AIRBAG SYSTEM (DIAGNOSTICS)

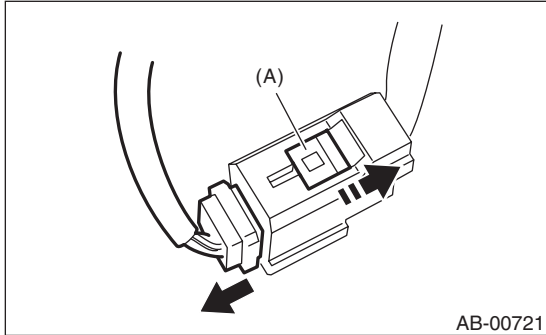
6. Airbag Connector

A: PROCEDURE

1. BUCKLE SWITCH AND OCCUPANT DETECTION CONTROL MODULE

1) How to disconnect:

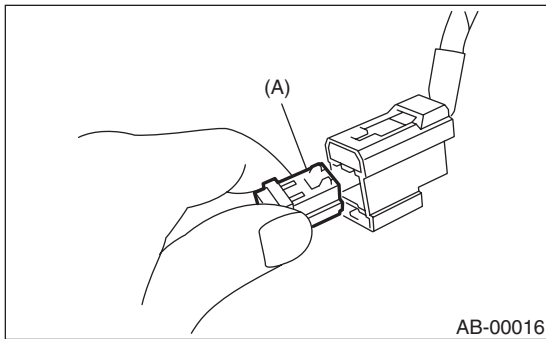
- (1) Move the slide lock (A) in the direction of arrow.
- (2) With the slide lock (A) moved, disconnect the connector.



CAUTION:
When pulling the slide lock or disconnecting connector, be sure to hold the connector, not the harness.

2) How to connect:

Holding the connector (A), and push it in carefully until a clicking sound is heard.

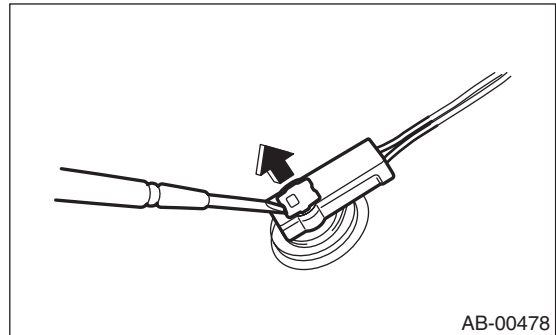


CAUTION:
Be sure to insert the connector in until it is locked. Then pull it gently to make sure that it is locked.

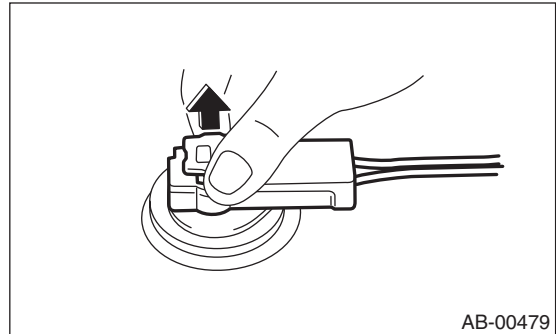
2. DRIVER'S AIRBAG MODULE AND PRE-TENSIONER

1) How to disconnect:

- (1) Using a flat tip screwdriver, pry the push lock upward to unlock.



- (2) Pull the connector to disconnect from driver's airbag module assembly or retractor assembly.

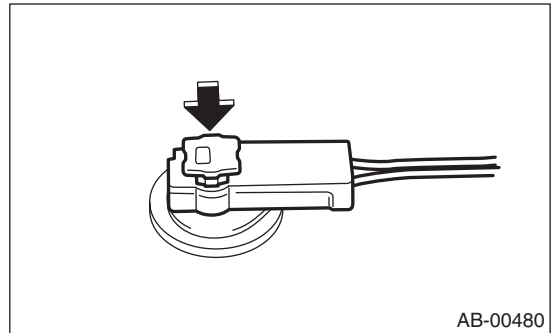


2) How to connect:

Connect the connector in the reverse order of disconnecting. At this time, be sure to insert the push lock until a clicking sound is heard.

CAUTION:

- Be sure to insert the connector in until it is locked. Then pull it gently to make sure that it is locked.
- Be sure to push the push lock in securely.



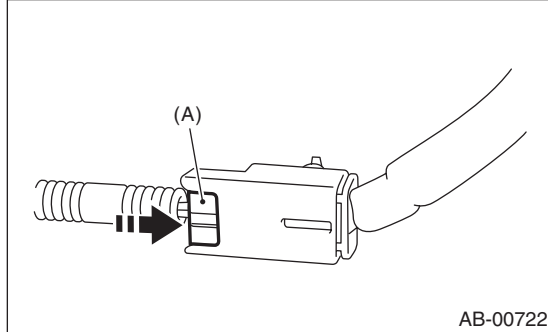
NOTE:

You cannot connect the connector when the push lock is in the lock position. Move the push lock to the release position to connect the connector.

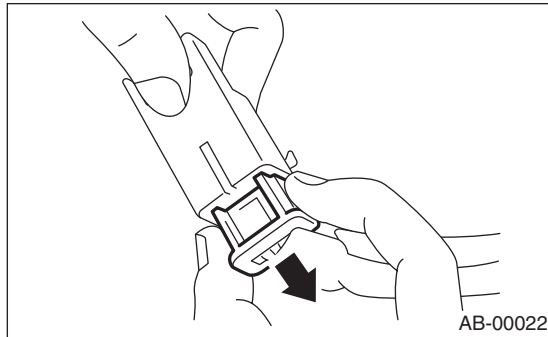
3. DRIVER'S AIRBAG (BETWEEN AIRBAG MAIN HARNESS AND ROLL CONNECTOR) AND PASSENGER'S AIRBAG

1) How to disconnect:

(1) Push in the slide lock (A) in the direction of arrow.



(2) With the slide lock pushed in, disconnect the connector.



CAUTION:

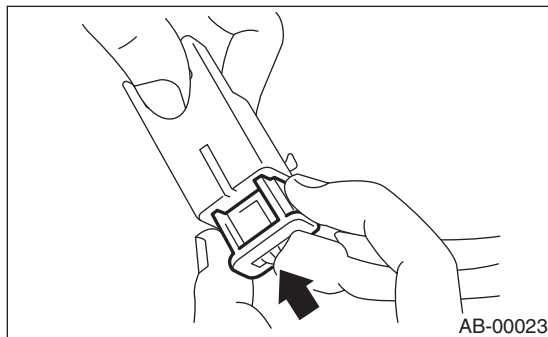
When pulling the slide lock or disconnecting connector, be sure to hold the connector, not the harness.

2) How to connect:

Holding the connector, push it in securely until a clicking sound is heard.

CAUTION:

Be sure to insert the connector in until it is locked. Then pull it gently to make sure that it is locked.

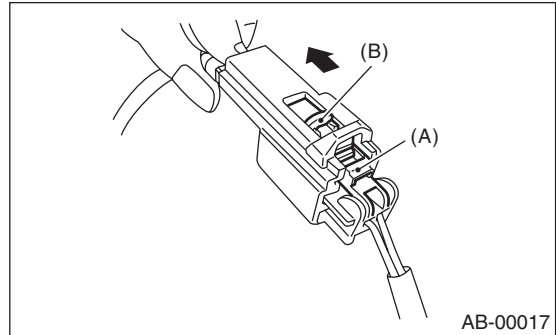


4. SIDE AIRBAG

1) How to disconnect:

(1) Push the lock arm (A).

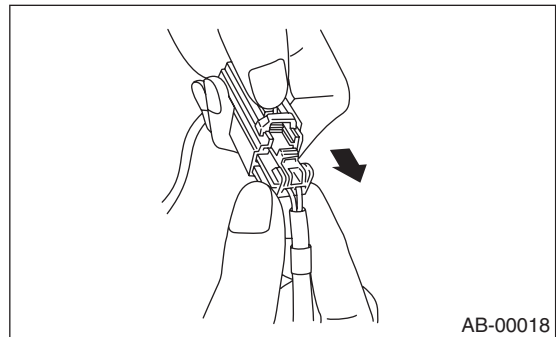
(2) With the lock arm (A) pushed in, move the slide lock (B) in the direction of arrow.



(3) With the slide lock moved, release the lock arm (return to original position) and disconnect the connector.

CAUTION:

When pulling the slide lock or disconnecting connector, be sure to hold the connector, not the harness.



Airbag Connector

AIRBAG SYSTEM (DIAGNOSTICS)

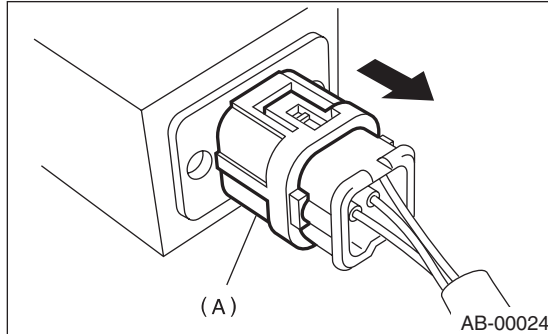
5. FRONT SUB SENSOR, SIDE AIRBAG SENSOR AND SEAT POSITION SENSOR

1) How to disconnect:

Holding outer part (A), pull it in the direction of arrow.

CAUTION:

When pulling the slide lock, be sure to hold the connector, not the harness.



2) How to connect:

Holding the connector, push it in securely until a clicking sound is heard.

CAUTION:

- Do not touch the outer section since outer side (A) will move back.
- Be sure to insert the connector in until it is locked. Then pull it gently to make sure that it is locked.

