

# Side Airbag Module

## AIRBAG SYSTEM

### 6. Side Airbag Module

#### A: REMOVAL

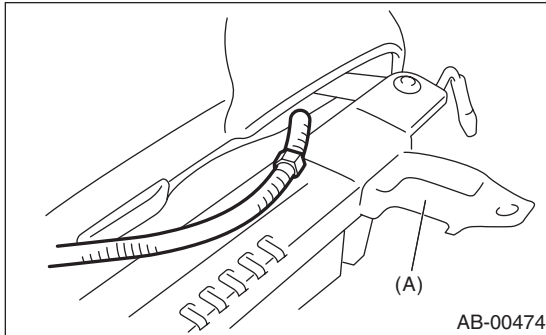
##### CAUTION:

Refer to “CAUTION” of “General Description” before handling the airbag module. <Ref. to AB-4, CAUTION, General Description.>

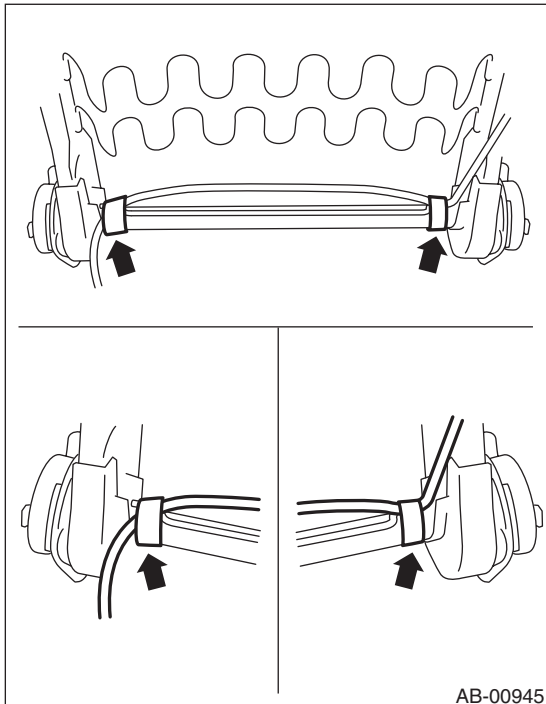
##### NOTE:

Remove the passenger’s side by referring to driver’s side.

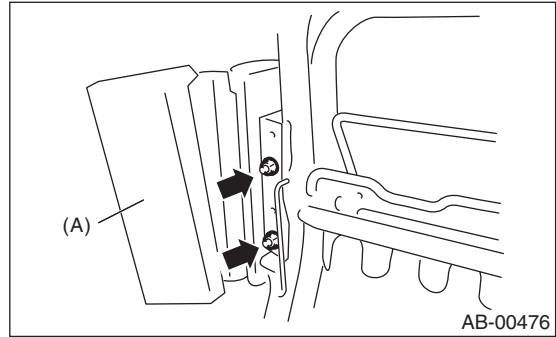
- 1) Turn the ignition switch to OFF.
- 2) Disconnect the ground cable from battery and wait for at least 20 seconds before starting work.
- 3) Remove the front seat. <Ref. to SE-7, REMOVAL, Front Seat.>
- 4) Remove the clip from reverse side of seat cushion assembly and slide rail IN (A), and then remove the side airbag harness.



- 5) Remove the backrest cover. <Ref. to SE-9, DISASSEMBLY, Front Seat.>
- 6) Remove the side airbag harness from backrest frame assembly.



- 7) Remove the side airbag module (A) from backrest frame assembly.



#### B: INSTALLATION

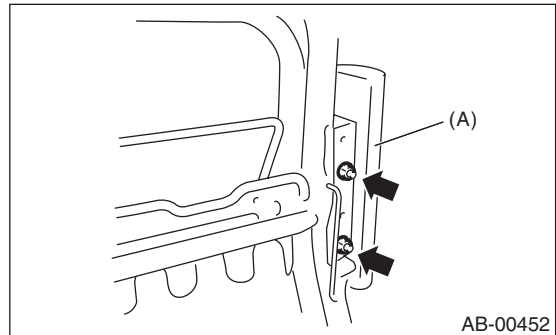
##### CAUTION:

- Refer to “CAUTION” of “General Description” before handling the airbag module. <Ref. to AB-4, CAUTION, General Description.>
- Be sure to perform the system calibration for occupant detection system after passenger’s seat installation. <Ref. to OD(diag)-17, SYSTEM CALIBRATION (REZEROING), OPERATION, Subaru Select Monitor.>

- 1) Make sure that there is no foreign matter on side airbag module.
- 2) Install the side airbag module (A) to backrest frame assembly.

##### Tightening torque:

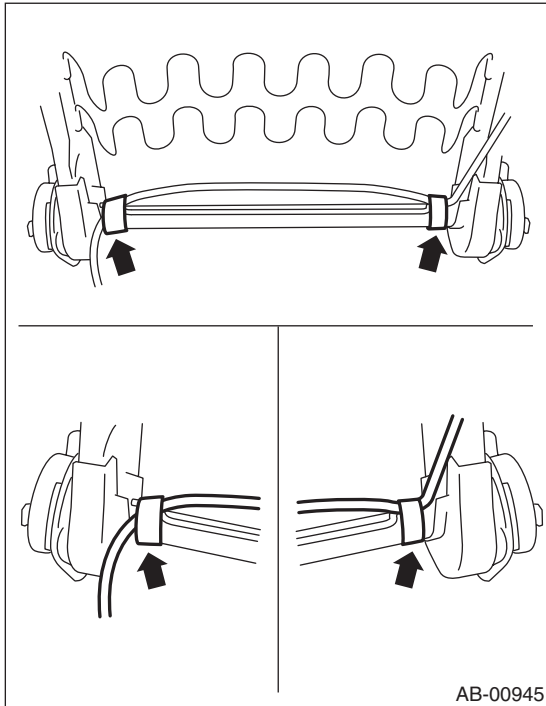
**7.5 N·m (0.8 kgf-m, 5.5 ft-lb)**



3) Install the side airbag harness to backrest frame assembly.

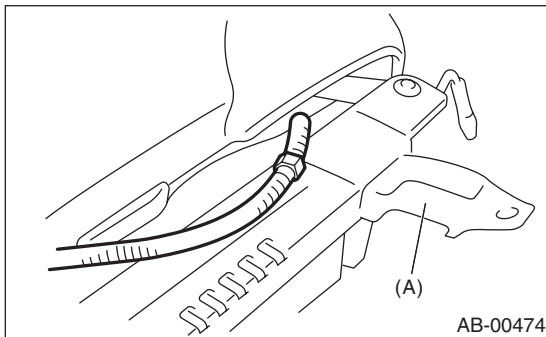
**NOTE:**

Secure the harness to its original position of seat.



4) Install the backrest cover. <Ref. to SE-16, ASSEMBLY, Front Seat.>

5) Install the side airbag harness to slide rail IN (A), then secure the connector to the bracket on the back side of the seat cushion assembly.



6) Recline the seat or slide it backward and forward, and check there is no contact between the seat backrest assembly, cushion cover assembly and side airbag harness.

## C: INSPECTION

**CAUTION:**

Refer to “CAUTION” of “General Description” before handling the airbag module. <Ref. to AB-4, CAUTION, General Description.>

Check for the following, and replace the damaged parts with new parts. <Ref. to AB-12, SIDE AIRBAG MODULE, INSPECTION, Inspection Locations After a Collision.>

1) With side collision (when side airbag is deployed)

- Side airbag module assembly
  - Backrest pad assembly
  - Backrest frame assembly
  - Backrest cover assembly
- 2) When any damage is found by visual check
- Headrest assembly
  - Bushing
  - Slide rail OUT
  - Slide rail IN
  - Seat cushion frame assembly (Passenger’s side)
  - Seat hinge cover
  - Seat lifter lever
  - Reclining lever
  - Side airbag harness and connector on body side

3) With side collision (when side airbag is not deployed)

Check the seat and airbag module visually, and then replace them with new parts if damaged or cracked.

Specially inspect the damage of airbag module body, mounting bracket and harness connector.

4) Without side collision (dirt and damage of cover)  
Replace the corresponding part with a new part.