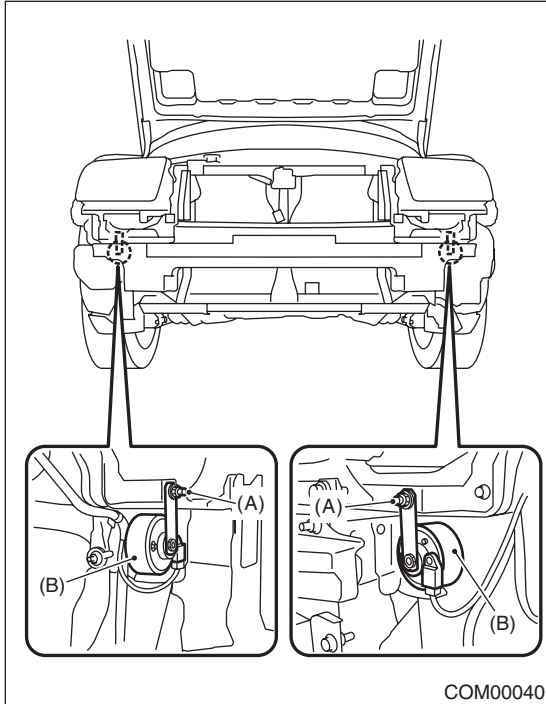


### 3. Horn

#### A: REMOVAL

- 1) Disconnect the ground cable from the battery.
- 2) Remove the front bumper. <Ref. to EI-21, REMOVAL, Front Bumper.>
- 3) Remove the horn bracket mounting bolt (A).
- 4) Disconnect the harness connector and remove the horn assembly (B).



#### B: INSTALLATION

Install in the reverse order of removal.

#### C: INSPECTION

With 12 V direct current supply between horn terminal and case ground, check that the horn sounds properly.

