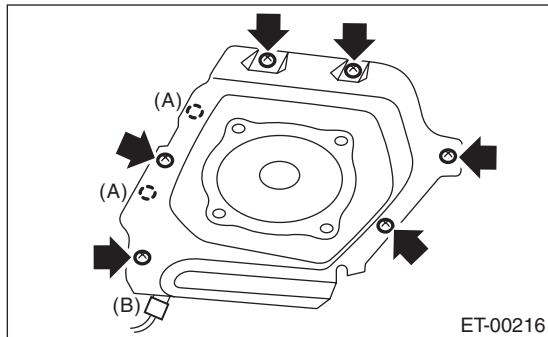


9. Woofers

A: REMOVAL

- 1) Disconnect the ground cable from the battery.
- 2) Remove the rear seat belt, rear seat, rear quarter upper, rear quarter lower, insulator and luggage floor mat.
- 3) Remove the woofer trim.
- 4) Remove the woofer mounting screws and clip (A).



- 5) Disconnect the harness connector (B) and detach the woofers.

B: INSTALLATION

Install in the reverse order of removal.