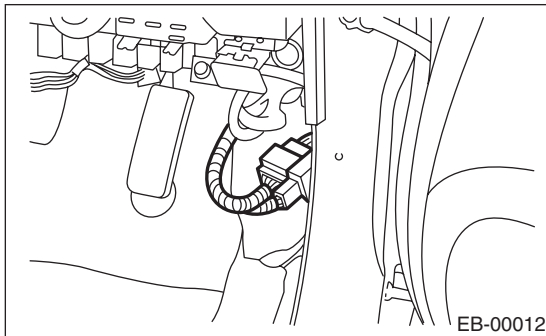


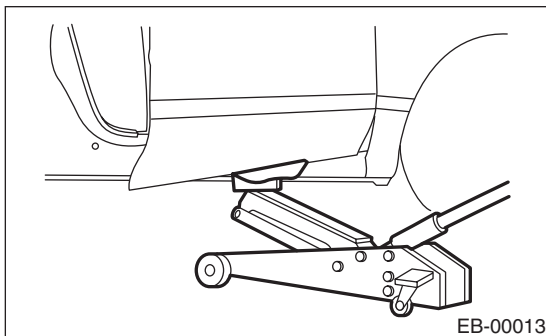
4. Front Door

A: REMOVAL

- 1) Disconnect the ground cable from the battery.
- 2) Remove the front door trim. <Ref. to EI-34, REMOVAL, Front Door Trim.>
- 3) Remove the outer mirror assembly. <Ref. to GW-12, REMOVAL, Outer Mirror Assembly.>
- 4) Remove the front sealing cover. <Ref. to EB-13, REMOVAL, Front Sealing Cover.>
- 5) Remove the front door glass. <Ref. to GW-16, REMOVAL, Front Door Glass.>
- 6) Remove the front door regulator and motor. <Ref. to GW-20, REMOVAL, Front Regulator and Motor Assembly.>
- 7) Remove the front door latch assembly. <Ref. to SL-31, REMOVAL, Front Door Latch and Door Lock Actuator Assembly.>
- 8) Remove the front outer handle. <Ref. to SL-30, REMOVAL, Front Outer Handle.>
- 9) Remove the front pillar lower trim to disconnect connector from the body harness.



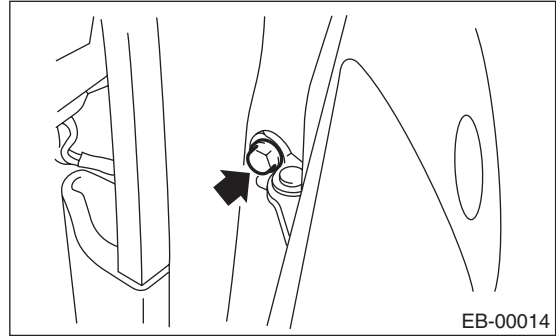
- 10) Put a wooden block on jack and place jack under the door. Support the door with a jack to protect it from damage.



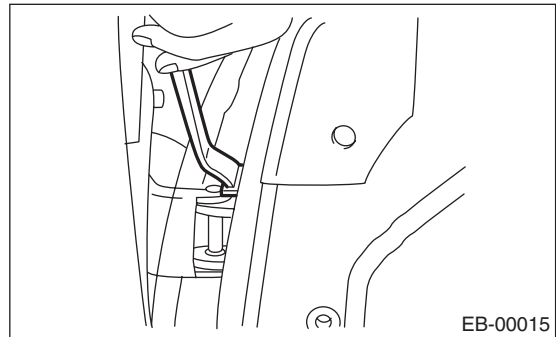
NOTE:

When supporting the door with jack, work carefully so that you do not deform the hinge portion of door during work.

- 11) Remove the checker bolts.

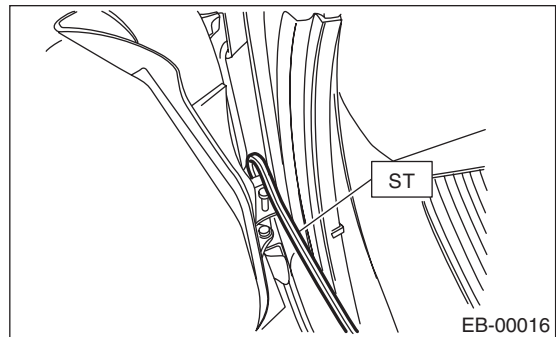


- 12) Remove the door-side bolts for upper and lower hinges to remove front door panel.



- 13) Remove the attaching bolts (on the body side) for the upper and lower hinges using the ST to remove the door hinges.

ST 925610000 WRENCH



Front Door

EXTERIOR BODY PANELS

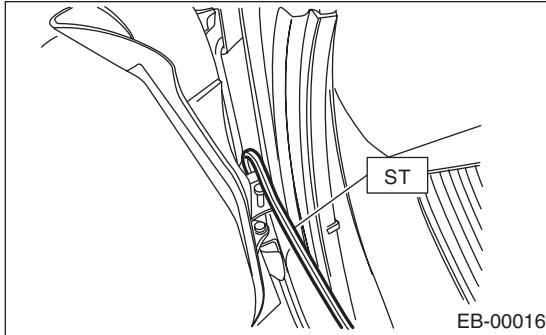
B: INSTALLATION

- 1) Install in the reverse order of removal.
- 2) Apply grease to the moving part of door hinges.
- 3) Refer to "COMPONENT" of "General Description" for tightening torque. <Ref. to EB-5, FRONT DOOR, COMPONENT, General Description.>

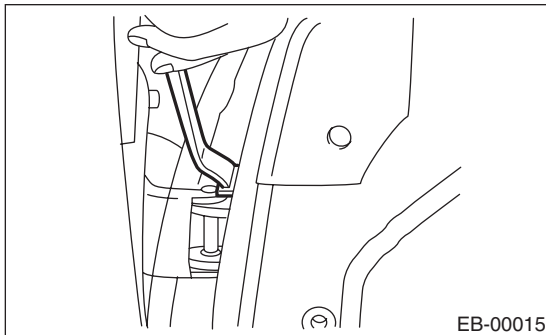
C: ADJUSTMENT

- 1) Using the ST, loosen the body-side bolts of the upper and lower hinges to align the position for vertical and horizontal direction of the front door panel.

ST 925610000 WRENCH



- 2) Loosen the door-side bolts of the upper and lower hinges to align the position for vertical and horizontal direction of front door panel on the front side.



- 3) Loosen the screws (A) and tap striker (B) using a plastic hammer to adjust the striker to align the position of front door panel vertically and laterally at the rear end.

CAUTION:

Do not use an impact wrench. Welding area on the striker nut plate is easily broken.

