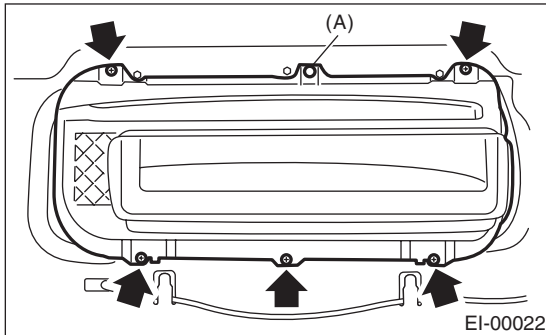


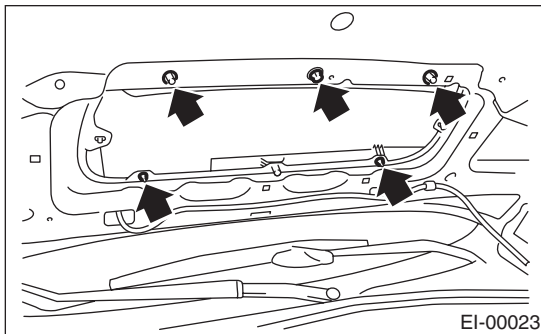
## 3. Front Hood Grille

### A: REMOVAL

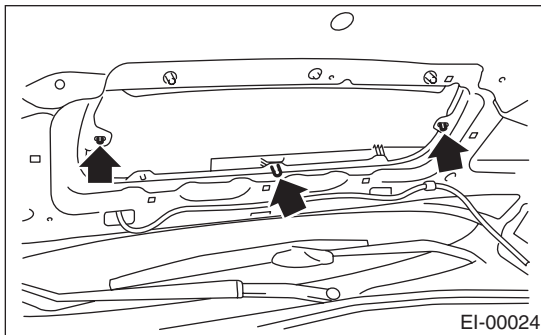
1) Remove five screws and clip (A) to remove the front hood duct.



2) Remove the five nuts.



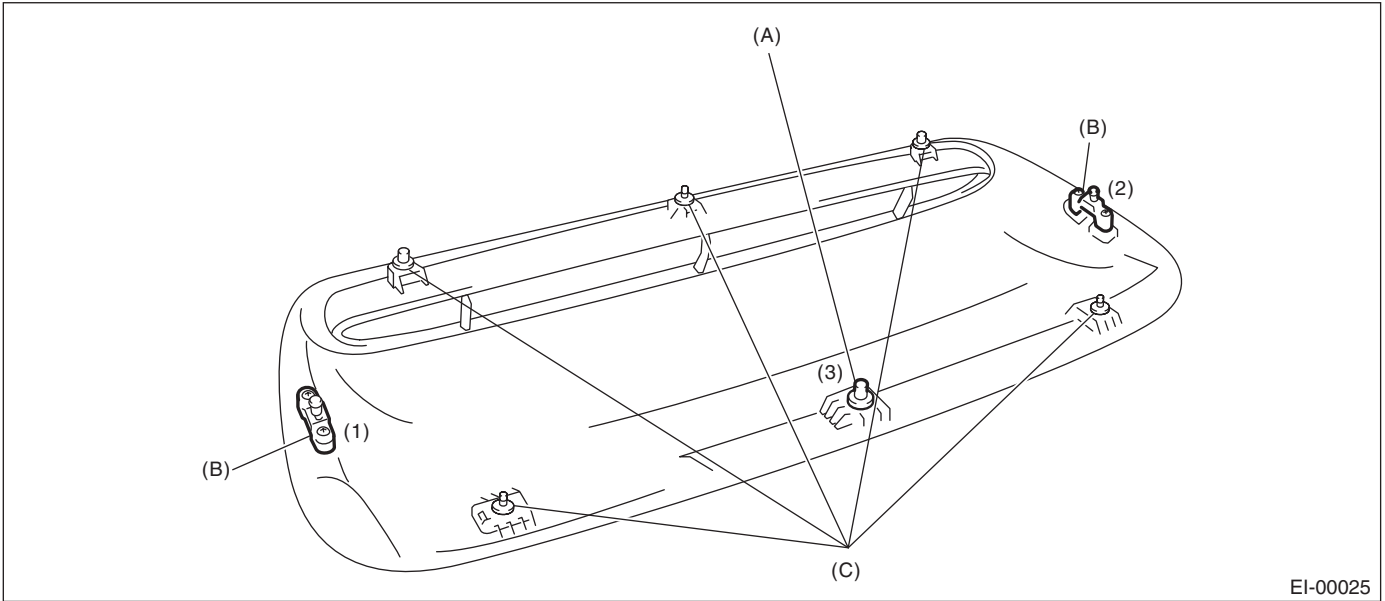
3) Remove three black clips and remove the front hood grille.



# Front Hood Grille

EXTERIOR/INTERIOR TRIM

## B: INSTALLATION



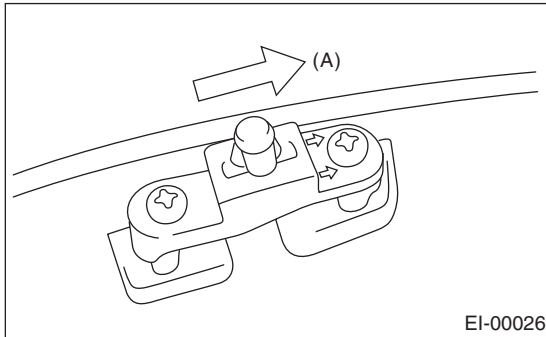
EI-00025

(A) Black clip

(B) Black clip

(C) Bolt

1) Replace the black clips (1) and (2) with new parts. Install the clip with arrow mark facing the front side of grille (A).

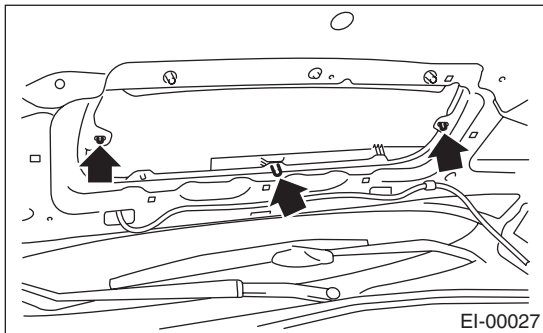


EI-00026

2) Replace the black clips (3) with a new part.  
3) Insert the front hood grille clip and engage the three clips.

### NOTE:

Make sure that the anchor portion of each clip is firmly engaged.

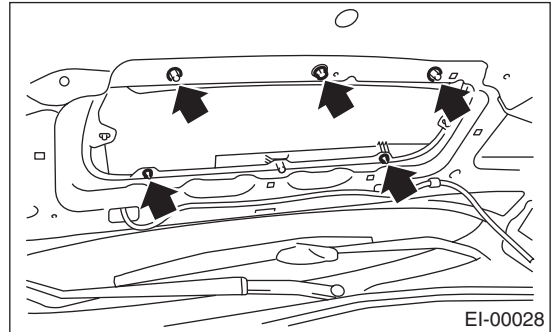


EI-00027

4) Install the five nuts.

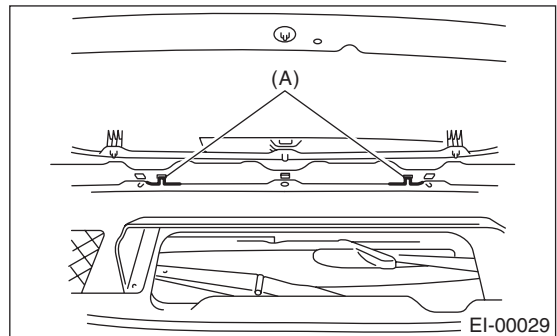
### Tightening torque:

**4.4 N·m (0.45 kgf·m, 3.25 ft·lb)**



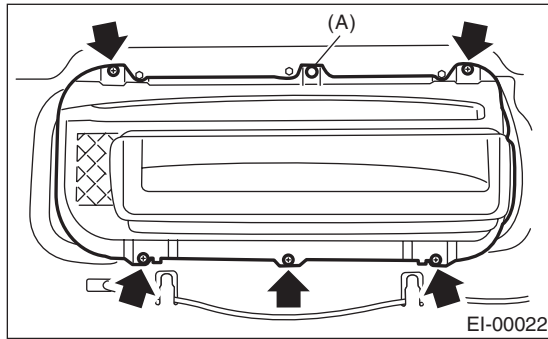
EI-00028

5) Hook the two hooks (A) of hood duct to the hood holes.



EI-00029

6) Install the front hood duct with the five screws and clip (A).



## C: INSPECTION

Make sure that the clip is firmly engaged.  
Make sure that there is no abnormal gap at whole periphery of hood grille.  
Check that there is no damage on the front hood grille.