

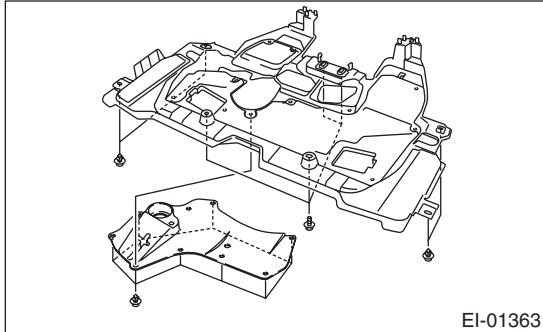
Front Under Cover

EXTERIOR/INTERIOR TRIM

4. Front Under Cover

A: REMOVAL

- 1) Lift-up the vehicle.
- 2) Loosen the bolts, then remove the clip and under cover.



B: INSTALLATION

Install in the reverse order of removal.

Tightening torque:

18 N·m (1.84 kgf-m, 13.3 ft-lb)