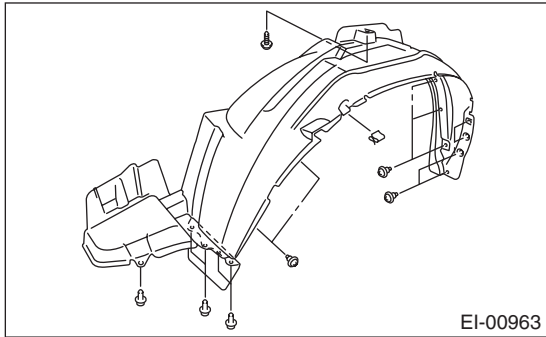


7. Mud Guard

A: REMOVAL

- 1) Jack-up the vehicle.
- 2) Remove the wheels. <Ref. to WT-5, REMOVAL, Steel Wheel.> or <Ref. to WT-6, REMOVAL, Aluminum Wheel.>
- 3) Remove the clips to remove the air flap.
- 4) Remove the screws and clips to remove the mud guard.



B: INSTALLATION

Install in the reverse order of removal.