

10.Side Garnish

A: REMOVAL

1) Make a cut in the edge of the garnish using a cutter, then manually remove the garnish by pulling it.

NOTE:

Be careful because the garnish and clip can be damaged if you pull unnecessarily hard on them.

2) Apply masking tape around the position where the double-sided tape is affixed on the side garnish.

3) Apply solvent (SUMITOMO 3M 4000 or the equivalent) to the position where the double-sided tape is affixed.

NOTE:

- Wipe immediately when the solvent is applied to the garnish surface.

- Do not use solvent to the body which has been repaired with lacquer paint.

4) Cover the area where solvent is applied using plastic wrap, and then heat the double-sided tape for 5 to 15 minutes in 40 — 60°C (104 — 140°F) using a heat light.

5) Peel the double-sided tape on the side garnish using steps 3 and 4.

NOTE:

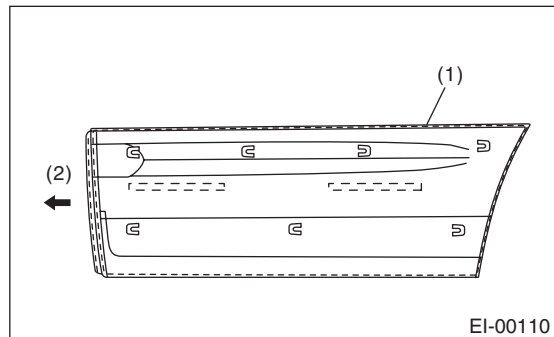
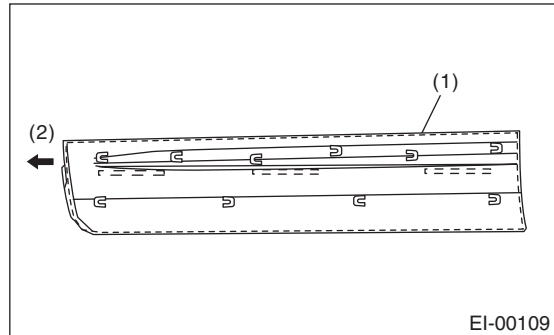
If the double-sided tape does not come completely off using the steps outlined above, use a scraper.

B: INSTALLATION

1) Affix the double-sided tape (SUMITOMO 3M 5305 or the equivalent) after applying the primer (SUMITOMO 3M K-500 or the equivalent) widely around the area where the double-sided tape is affixed.

NOTE:

Use the double-sided tape with 1 mm (0.04 in) thickness and 5 mm (0.2 in) width.



(1) Double-sided tape

(2) Front side

2) Heat the vehicle to 40 to 60°C (104 — 140°F), and the garnish 20 to 30°C (68 — 86°F) using a heat light.

3) Peel the backing paper off the double-sided tape and position the clip with the body hole. Be careful not to let air enter the adhesive surface. Manually push on the tape with approximately 69 — 98 N (7 — 10 kgf, 15 — 22 lbf) of force.

NOTE:

- To keep the adhesion, do not wash the vehicle within 24 hours from installation.

- Be careful not to move it up or down after application.

C: INSPECTION

- Make sure the side garnish is not greatly scratched or cracked.

- Make sure the clip is not damaged.