

16. Instrument Panel Assembly

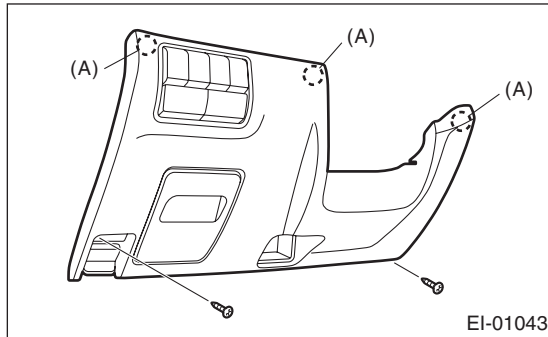
A: REMOVAL

CAUTION:

- All airbag system wiring harnesses and connectors are yellow. Do not use the electrical test equipment on these circuits.
- Be careful not to damage the airbag system harness when servicing the instrument panel.

1. REMOVING ONLY THE INSTRUMENT PANEL

- 1) Disconnect the ground cable from the battery.
- 2) Loosen the screws to remove lower cover.

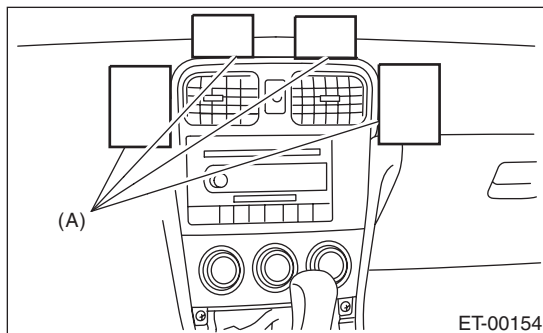


(A) Clip

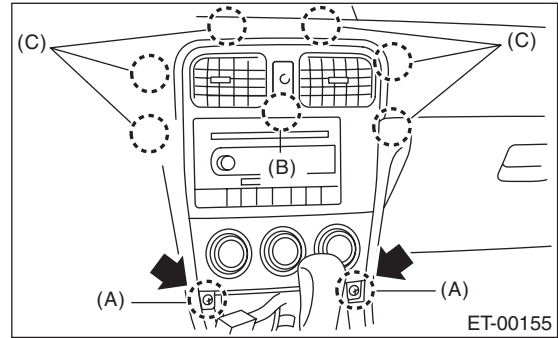
- 3) Disconnect the in-vehicle sensor hose and connector.
- 4) Remove the console front cover and console cover. <Ref. to EI-38, REMOVAL, Console Box.>
- 5) Affix the thick protective tape (A) to the instrument panel pad to protect the surface.

NOTE:

Affix the protective tape so that it covers the vertical wall in the back of the gap between the panel center and the pad.



- 6) Remove the screws.

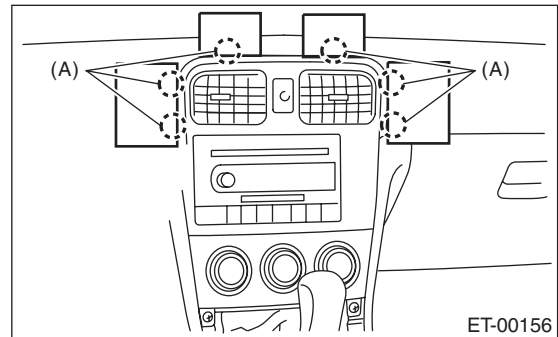


- (A) Screw
(B) Clip
(C) Claw

- 7) While pulling on the lower portion of the center console panel, insert a flat tip screwdriver into the portion (A) to remove the claw.

CAUTION:

Be very careful because it is possible to damage the instrument panel if the flat tip screwdriver is inserted into any other area than specified.



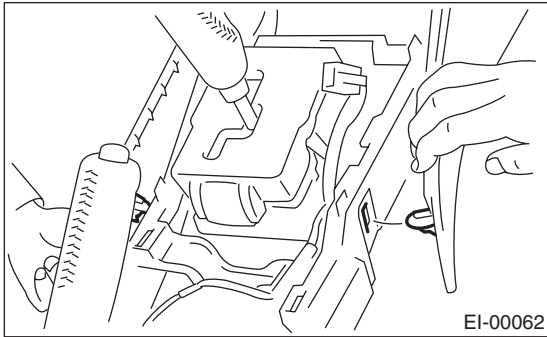
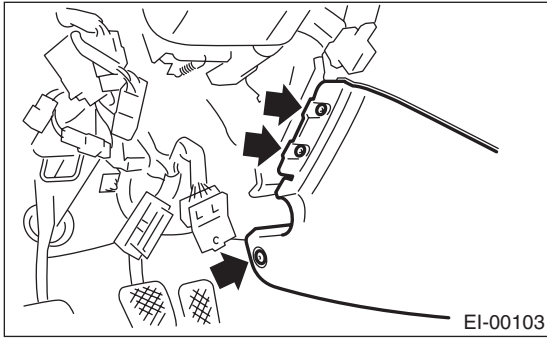
(A) Position for inserting the flat tip screwdriver

- 8) Disconnect the A/C control panel and hazard switch connectors.

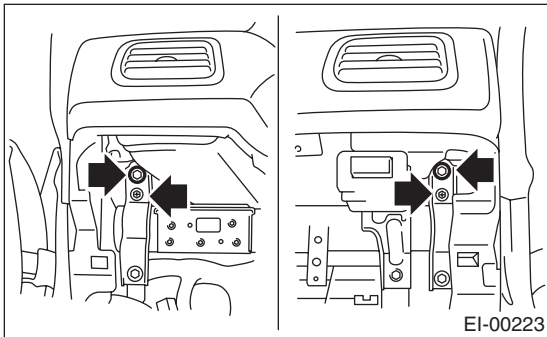
Instrument Panel Assembly

EXTERIOR/INTERIOR TRIM

- 9) Remove the screws and clips to remove the side console panel.



- 10) Remove the passenger airbag module. <Ref. to AB-15, REMOVAL, Passenger's Airbag Module.>
11) Remove the two bolts which secure steering column. <Ref. to PS-16, REMOVAL, Tilt Steering Column.>
12) Loosen the four bolts that secure the instrument panel. (The lower bolt should not be removed as it is used for alignment.)



- 13) Remove the combination meter assembly. <Ref. to IDI-10, REMOVAL, Combination Meter.>
14) Loosen the instrument panel attaching screws.
15) Remove the instrument panel center compartment. <Ref. to EI-50, REMOVAL, Instrument Panel Center Compartment.>
16) Remove the radio. <Ref. to ET-6, REMOVAL, Radio Body.>
17) Remove the instrument panel side cover (both sides), the loosen the two bolts.

- 18) Remove the instrument panel assembly.

NOTE:

Remove the front pillar upper trim as required. <Ref. to EI-42, REMOVAL, Upper Inner Trim.>

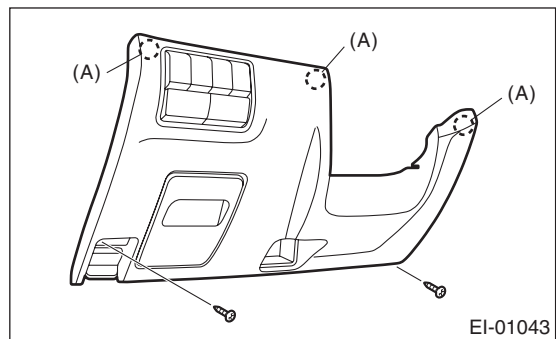
- 19) Disconnect the harness connector of the combination meter.

CAUTION:

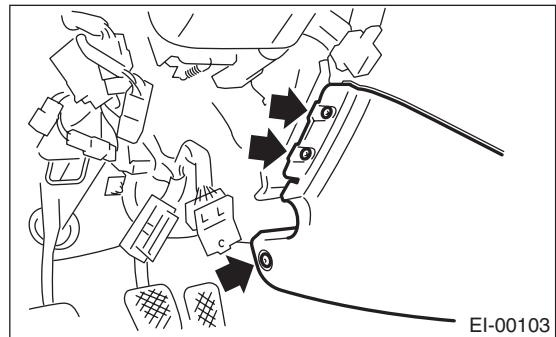
Do not pull the harness when disconnecting connector.

2. REMOVAL OF INSTRUMENT PANEL WITH THE STEERING BEAM

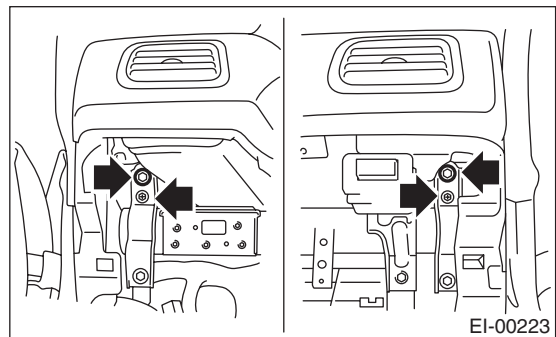
- 1) Disconnect the ground cable from the battery.
2) Loosen the screws and clips (A) to remove the lower cover.



- 3) Remove the console front cover and console cover. <Ref. to EI-38, REMOVAL, Console Box.>
4) Loosen the screws and clip to remove the side console panel.



- 5) Remove the steering column.
6) Loosen the four bolts that secure the instrument panel.



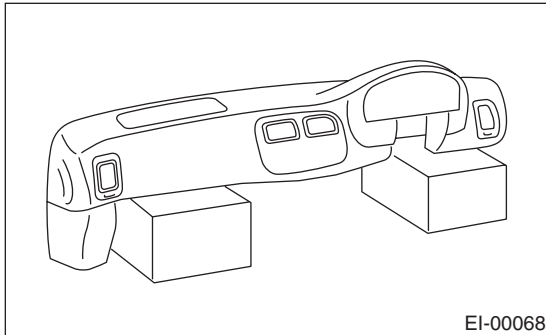
- 7) Remove the driver's and passenger's side airbag modules. <Ref. to AB-14, REMOVAL, Driver's Airbag Module.> <Ref. to AB-15, REMOVAL, Passenger's Airbag Module.>
- 8) Loosen the steering beam bolts.
- 9) Loosen the brake pedal attaching bolts. <Ref. to BR-47, REMOVAL, Brake Pedal.>
- 10) Remove the two clips on the leading end of the instrument panel assembly.
- 11) Remove the instrument panel assembly.

CAUTION:

Do not pull the harness when disconnecting connector.

NOTE:

- If necessary, make alignment marks for easy re-assembly.
- When storing the removed instrument panel, place it standing up on the floor.



B: INSTALLATION

Install in the reverse order of removal.

CAUTION:

- **Be careful not to snag the harness.**
- **Make sure to connect the harness connector.**

NOTE:

When setting the instrument panel into position, push the hook into grommet (A) on the body panel.

