

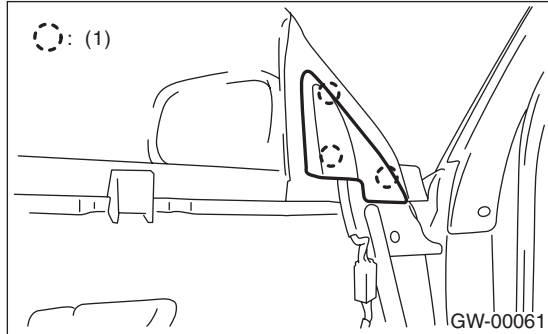
Outer Mirror Assembly

GLASS/WINDOWS/MIRRORS

6. Outer Mirror Assembly

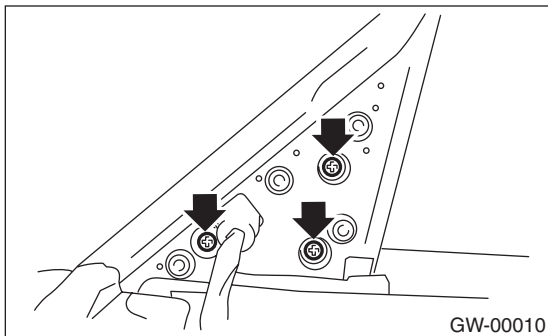
A: REMOVAL

- 1) Remove the door trim. <Ref. to EI-34, REMOVAL, Front Door Trim.>
- 2) Remove the mirror gusset cover.



(1) Hook

- 3) Disconnect the outer mirror connector.
- 4) Remove the grommet, and loosen the screws to remove the outer mirror assembly.



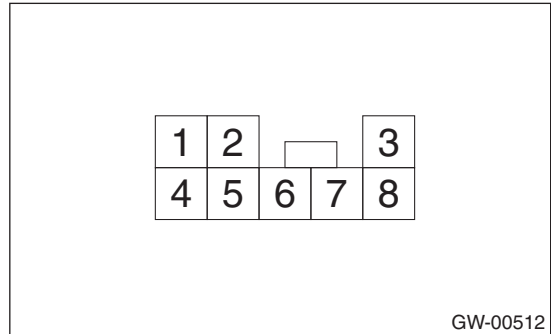
B: INSTALLATION

Install in the reverse order of removal.

C: INSPECTION

1. OUTER MIRROR WITH SIDE TURN SIGNAL LIGHT (MODEL WITHOUT MIRROR HEATER)

- 1) Check to ensure that the outer mirror moves properly when the battery voltage is applied to terminals.

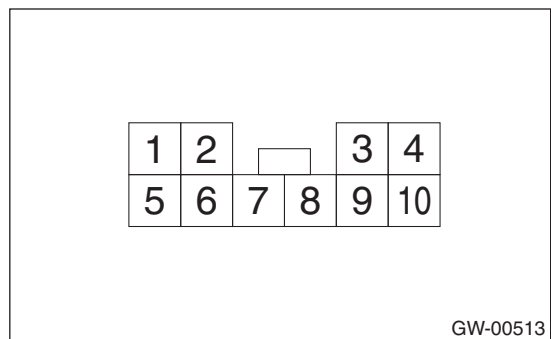


Switch position	Terminal No.
OFF	—
UP	6 (+) and 3 (-)
DOWN	3 (+) and 6 (-)
LEFT	7 (+) and 8 (-)
RIGHT	8 (+) and 7 (-)

- 2) Replace the mirror if defective.

2. OUTER MIRROR WITH SIDE TURN SIGNAL LIGHT (MODEL WITH MIRROR HEATER)

- 1) Check to ensure that the outer mirror moves properly when the battery voltage is applied to terminals.

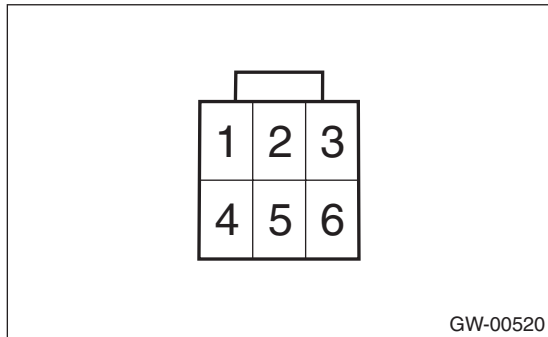


Switch position	Terminal No.
OFF	—
UP	7 (+) and 3 (-)
DOWN	3 (+) and 7 (-)
LEFT	8 (+) and 9 (-)
RIGHT	9 (+) and 8 (-)

- 2) Replace the mirror if defective.

3. STANDARD SIZE OUTER MIRROR (MODEL WITHOUT MIRROR HEATER)

1) Check to ensure that the outer mirror moves properly when the battery voltage is applied to terminals.

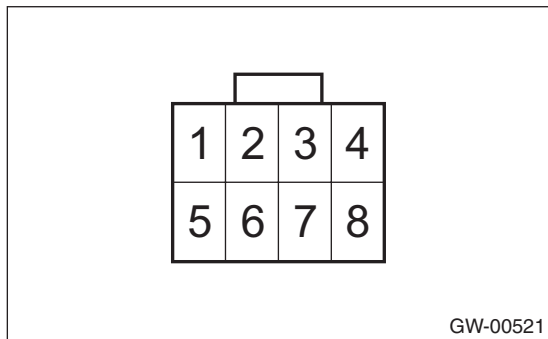


Switch position	Terminal No.
OFF	—
UP	1 (+) and 3 (-)
DOWN	3 (+) and 1 (-)
LEFT	2 (+) and 3 (-)
RIGHT	3 (+) and 2 (-)

2) Replace the mirror if defective.

4. STANDARD SIZE OUTER MIRROR (MODEL WITH MIRROR HEATER)

1) Check to ensure that the outer mirror moves properly when the battery voltage is applied to terminals.



Switch position	Terminal No.
OFF	—
UP	2 (+) and 4 (-)
DOWN	4 (+) and 2 (-)
LEFT	3 (+) and 4 (-)
RIGHT	4 (+) and 3 (-)

2) Replace the mirror if defective.