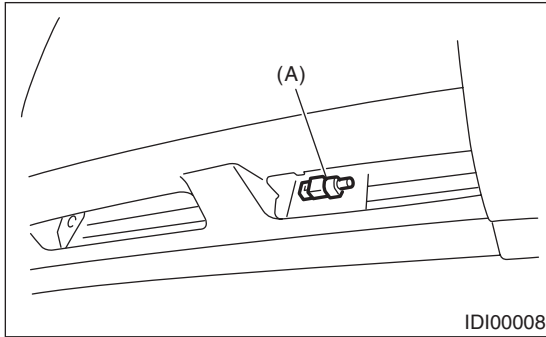


8. Ambient Sensor

A: REMOVAL

- 1) Disconnect the ground cable from the battery.
- 2) Disconnect the ambient sensor connector.
- 3) Remove the ambient sensor (A) from the radiator lower panel.

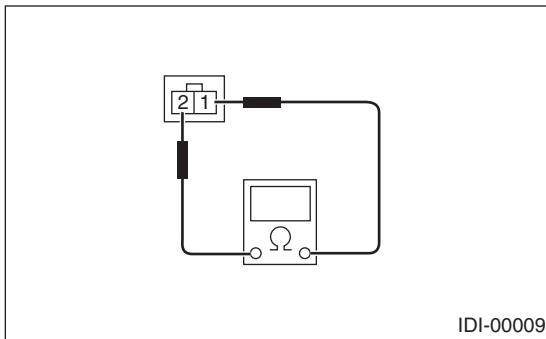


B: INSTALLATION

Install in the reverse order of removal.

C: INSPECTION

Measure the ambient sensor resistance.



Terminals	Specified resistance
1 and 2	3 kΩ/25°C (77°F)

If NG, replace the ambient sensor.