

Front Fog Light System

LIGHTING SYSTEM

3. Front Fog Light System

A: WIRING DIAGRAM

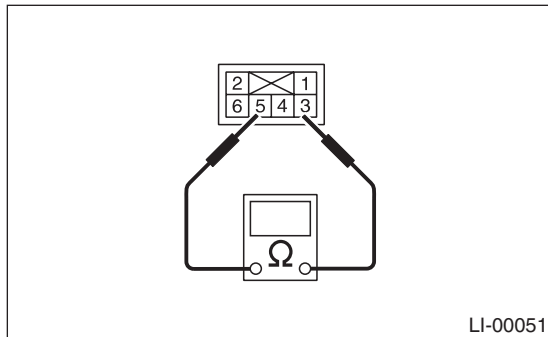
1. FRONT FOG LIGHT

<Ref. to WI-111, WIRING DIAGRAM, Front Fog Light System.>

B: INSPECTION

1. FRONT FOG LIGHT SWITCH

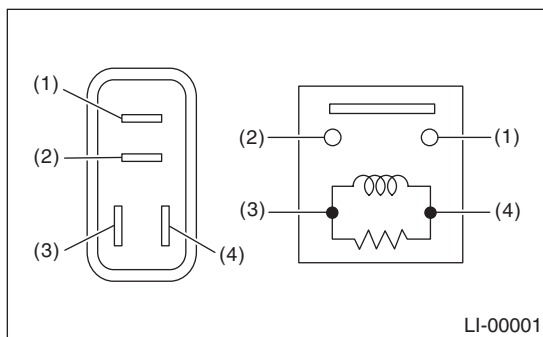
Measure the front fog light switch resistance.



Switch position	Terminal No.	Standard
OFF	3 and 5	1 MΩ or more
ON		Less than 1 Ω

2. FRONT FOG LIGHT RELAY

Connect terminal No. 4 to battery positive terminal and terminal No. 3 to battery ground terminal, and measure the front fog light relay resistance between terminals.



Continuity	Terminal No.	Standard
Yes	1 and 2	Less than 1 Ω
No		1 MΩ or more