

Headlight Bulb

LIGHTING SYSTEM

10. Headlight Bulb

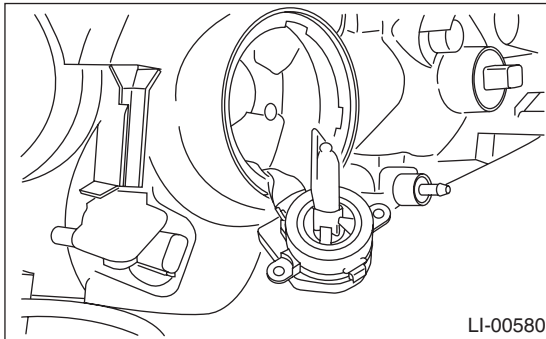
A: REMOVAL

1. HALOGEN TYPE

CAUTION:

- Because the halogen bulb operates at a high temperature, dirt and oil on the bulb surface reduces the bulb's service life. Hold the flange portion when replacing the bulb and never touch the glass portion.
- The entering of dust, moisture, etc. into the headlight may affect its performance. Therefore, never leave the headlight without a bulb for extended periods of time.

- 1) Disconnect the ground cable from the battery.
- 2) Remove the air intake duct (when right side headlight is removed). <Ref. to IN (H4SO)-5, REMOVAL, Air Cleaner Case.>
- 3) Remove the back cover.
- 4) Disconnect the harness connector.
- 5) Remove the light bulb retaining spring to remove the bulb.



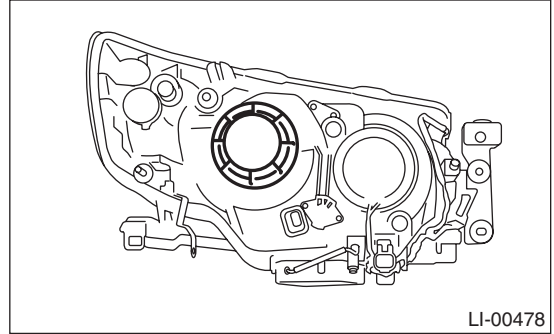
2. HID TYPE

CAUTION:

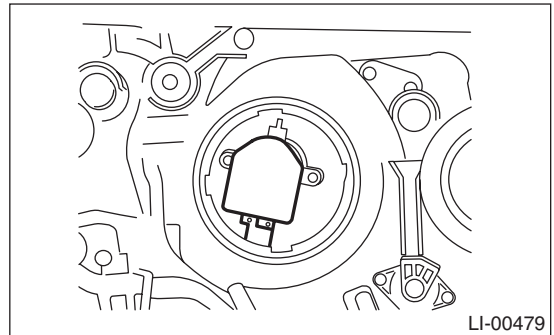
- Do not operate with wet hands.
- As the lightening circuit uses high voltage, be sure to confirm that the power supply is turned off before working on it.
- When replacing the bulb, hold the flange portion and never touch the glass portion.
- Do not leave the headlight without a bulb for a long time. Dust, moisture, etc. entering the headlight may affect its performance.

- 1) Disconnect the ground cable from the battery.
- 2) Remove the headlight assembly. <Ref. to LI-14, HID TYPE, REMOVAL, Headlight Bulb.>

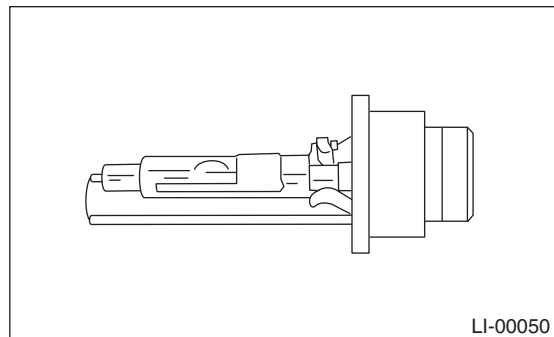
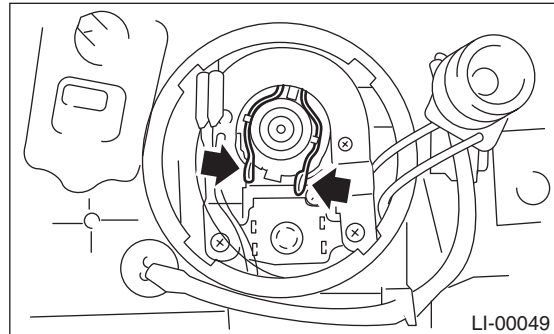
- 3) Remove the back cover.



- 4) Disconnect the harness connector.



- 5) Remove the light bulb retaining spring to remove the bulb.



B: INSTALLATION

Install in the reverse order of removal.

C: INSPECTION

1. HALOGEN TYPE

- 1) Visually check the bulb for blow out.
- 2) Check the bulb specification.
<Ref. to LI-2, SPECIFICATION, General Description.>
- 3) If NG, replace the bulb with a new part.

2. HID TYPE

CAUTION:

- **Do not operate with wet hands.**
- **Do not touch the harness, inner headlight, or any metallic portion of the headlight when the light is illuminated (when the lighting switch is turned on).**
- **When performing a lighting test, make sure that the headlight is mounted on the vehicle, and the power supply is connected to the connector on the vehicle's side.**

- 1) Check the bulb specification.
<Ref. to LI-2, SPECIFICATION, General Description.>
- 2) Install a specified HID bulb for headlight lighting test.
- 3) If the headlight does not illuminate, replace the bulb with a new part.
- 4) Check the HID ballast.

Check the ballast in the following methods and judge if it can be reused or not.

- (1) Perform the cold start (turning on the lights after the headlights is gone off for more than 10 minutes) and hot start (turning on the headlights for more than 15 minutes → turning off the lights for one minute → turning on the lights again) several times and check if the headlights are lit surely.
 - (2) Check the lighting condition from immediately after the cold start until the stable condition (approx. 5 min.), to make sure that the unstable condition (flicker etc.) does not occur.
 - (3) Attach the two bulbs having been used for the same period of time to the right and left headlights and keep the headlights for approx. 30 minutes lit. Check the difference of brightness between right and left headlights.
- 5) If NG, replace the ballast with a new part.